

Masport[®]
HEATING



AUBURN

INBUILT

www.masportheating.com.au



Environmentally friendly wood fire

ABOUT WOOD FIRE

In days gone by, people relied on solid wood fuel to provide the basics of life - for cooking, heating and hot water. Yet it was dirty and inefficient. How things have changed!

The research and development team at Masport Heating have dedicated years to improving the efficiency and performance of our solid wood fires. Masport Heating strives to produce appliances which exceed environmental standards, offer a range of styles and operate with efficiency never before imagined.

Today's appliances use less fuel, burn cleaner, are easier to clean, and can provide whole home heating even in the coldest winter without the fuss or mess.


Simply put, burning wood is a sound environmental choice because unlike other fuels, burning wood generates no more carbon dioxide than if it were left on the forest floor to rot. What's more, good forest management and regular replanting would ensure that our atmosphere is continually washed of carbon dioxide. With wood you know you are playing your part in protecting the planet.






Wood Fires

There are two main categories of wood fires.

 **Radiant Fires** heat quickly and if you sit close to them you can get warm even if the whole room has not had time to warm up. A radiant fire transfers about two thirds of its heat by radiating out and one third by convection. A radiant fire is more suitable for rooms with high ceilings.

 **Convection Fires** provide a more even heat by distributing warm air around the room, because hot air rises, the air in the room is warmed from the ceiling downwards. A convection fire is more suitable for a room or house with a standard ceiling height and where more even heat distribution is desired.



Auburn

The Auburn Inbuilts are the newest additions to the Masport wood fire range, comprised of two sizes to suit your unique space. Designed and made in Australia from the ground up, with the same principals synonymous with the Masport Heating brand.

The Auburn Inbuilt fires provide a high quality user experience thanks to their aesthetic appeal and functionality. With the full glass door, your fire view is framed tastefully by a jet black border fading gradually into the fire. Auburn are finished in metallic black with complimenting satin black touch points.

The single air control system allows for a steady stream of oxygen into the fire while also keeping the glass clean. The integrated 3 speed, remote controlled fan assists with distributing heat around the room and further into the home.

The Auburn range is supported with a 10 year firebox warranty making it the perfect solution for inbuilt fires in the Australian home.

- ▶ Modern design
- ▶ Efficiently heats area up to 270m²
- ▶ 6mm durable firebox
- ▶ Convection Heating
- ▶ Full glass door
- ▶ 3 speed remote fan
- ▶ For built-in and insert applications only
- ▶ 10 year Firebox warranty
- ▶ Made in Australia



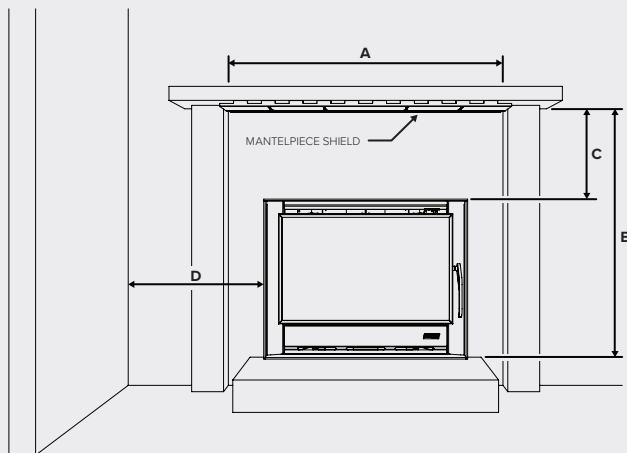
Auburn 5 | 8

Model/SKU	MA5IN	MA8IN
Output Average	8.9 kW	10.3 kW
Emissions	1 g/kg	0.8 g/kg
Efficiency	62%	61%
Log Size	300mm	300mm
Dimensions W x D x H	772 x 534 x 616 mm	872 x 553 x 666 mm
Warranty	10 Year Firebox	10 Year Firebox

Clearance Specifications

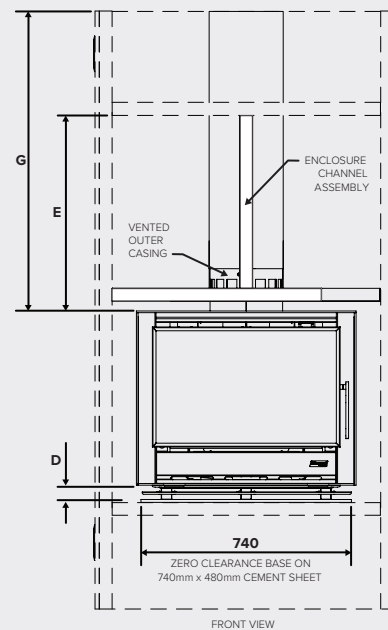
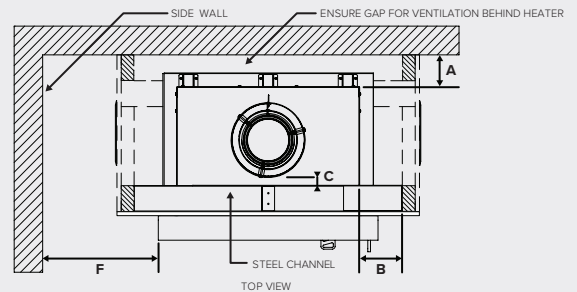
Masonry Installation

Model	A	B	C	D
MA5IN	822	916	300	300
MA8IN	922	1166	500	300



Zero Clearance Installation

Model	A	B	C	D	E	F	G
MA5IN	100	150	40	40	600	300	1240
MA8IN	30	100	40	40	600	300	1190





Glen Dimplex Australia Pty Ltd
8 Lakeview Drive, Scoresby, VIC 3179

T 1300 554 155

masportheating.com.au

Glen Dimplex Australia Pty Ltd's policy is one of continuous development. We reserve the right to change size and specifications without notice. Images shown are for communication purposes only. For confirmation of Masport Heating product details please refer to www.masportheating.com.au. Please refer to the installation and operation instructions before having your Masport Wood Fire installed. A full set of these instructions is supplied with each fire.



MASauburn