



# LOCAL SHED

SOLUTIONS

## Your Vision Our Solution

Garages | Farm Sheds | Carports | Barns |  
Skillions | Custom Design |  
Industrial Buildings





From the first discussion of your "Vision" we can provide;

## Why Local Shed Solutions?

At Local Shed Solutions we have a state of the art design team using 3D modelling software built on the AutoCAD platform. Our professionals use the software to help accelerate design, steel detailing, steel fabrication and steel construction with precision. We have high performance machinery to cope with large volumes. Our CNC automated cutting saw offers high productivity, accuracy and competitive cutting performance. Along with the Kemppi welding machine and our quality laser cut plates, we also process columns, channels, angles, flat plates, RHS, square, round, UB and UC profiles with a beamline machine, reducing costs and supplying the highest quality product on the market.

### Distributors and Builders

Throughout Victoria and Interstate that provide top quality service within your local area.

### Architects

For class 1 buildings and energy rated structures.

### Sales and Technical Support

Our sales and operations team are here to assist you from quoting stage to on site technical support now and in the future.

### Engineering Facilities

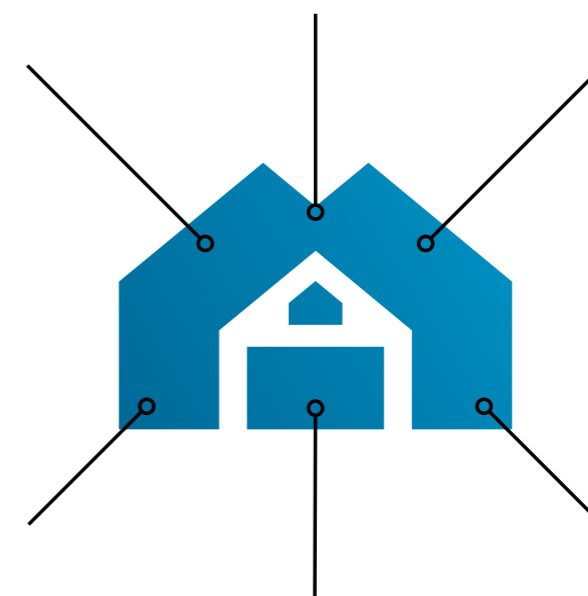
Full steel fabrication design experience in steel sheds, housing, commercial buildings and anything custom designed.

### Experience

With our 60 + years of experience comes stringent quality control – Our inhouse knowledge means everything will run smoothly from start to finish.

### Deliveries

Throughout Victoria and interstate via tray trucks, crane trucks or semi trailers direct to site or into depot. All our transport options are met with stringent (safety) procedures during unloading and are neatly packed for your convenience.



## Carports

Our carports are a perfect inexpensive way to protect your car, bike, boat or outdoor furniture from the elements.

Gable and Skillion roof carports are available in a range of sizes to suit your specific needs and can compliment your home or business.



## Sheds

Our sheds, garages & carport designs are built with welded plates & bolted connections to last the test of time.

There are many benefits of an outdoor garage or workshop. Storing cars, trailers, motorbikes and tools. Or create an outdoor room for entertainment or hobby interests.



## Custom Sheds

Customise your building to include all the elements you require. We'll work with you to get the results you want, from conception to completion as "Your Vision is our Solution".

We'll use a customised mix of RHS, UB and Open Web Truss frames to meet your individual needs & can provide galvanised, powdercoating or painted options.

Our designs can be customised to suit your individual needs or onsite requirements.



## The Skillion roof

The Skillion roof designs are a great option for domestic buildings, rural sheds, custom design and commercial/industrial structures which give a modern and architectural twist. Skillions look fantastic and can be manufactured in various roof pitches to suit your custom or minimalistic look and can be a great solution for drainage and boundary height restrictions.



# Rural Sheds

Farm sheds, hay sheds and machinery sheds - can be manufactured in RHS, UB Frame or Open Web Truss for impeccable strength and quality investment.

Our rural sheds provide flexibility and practicality for all your farming requirements. Highly durable and built to withstand the elements.

We can alter our designs in terms of height, length and width so you can fit all the important machinery, tools and farm materials in your new building. We can even offer various bay sizes, so you can design your shed around the equipment you need to store.



MACHINERY SHED



FARMING SHED



SHEARING SHED

## Commercial & Industrial

Design your steel building to suit your exact business needs.

Whether you need an industrial workshop, factory floor, commercial storage shed, aircraft hangar or other commercial building, we can help.

We design and manufacture your workplace or space to your specifications. Our Commercial steel buildings are perfectly suited to a wide range of industry sectors and built to last a life time.



## Universal Beams (UB) Steel

Universal Beams (UB) are 'I' Shaped beams designed to span over large distances.

Typical Uses:

- Engineering Construction
- Residential Construction
- Commercial Construction
- Mining Infrastructure
- Transport and Storage
- Manufacturing

Advantages of UB:

- Steel beam depths are around half that of web truss designs, offering greater usable space and lower manufacturing costs.
- It is longer spanning, meaning fewer columns and more usable space.
- Local Shed Solutions "Roof Lift Up Design" helps to construct the steel work and roof sheets on the ground safely. It also makes installation quicker and more cost effective.



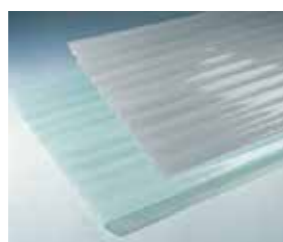
## Roof and Wall Cladding profiles



## Optional Extras



**Roof Ventilation**



**Fibreglass Skylights**



**Personal Access (PA) Doors**



**Windows**



**Concrete Flashing**



**Insulation**



**Roller Doors (Chain & Remote)**



**Sliding Doors**



**Glass Sliding Door**

## About Local Shed Solutions

Local Shed Solutions are a Victorian based company with over 60+ years of experience in the steel manufacturing sector. We take pride in our experience in the steel fabrication industry, allowing us to create innovative designs, with a focus on outstanding quality and service.

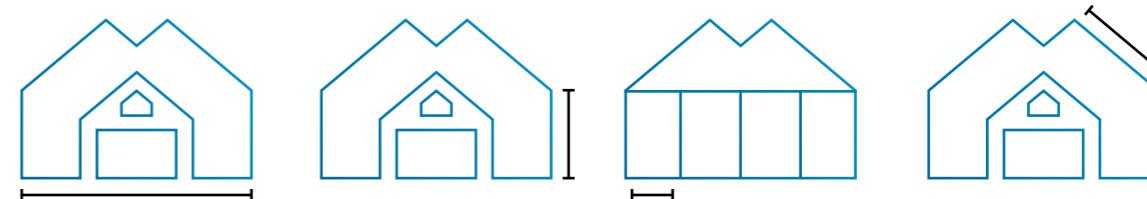
We are an experienced team who work closely with qualified builders, engineers and fabricators to bring the best product and customer service from start to finish.

We specialise in RHS & structural steel fabrication, so that we can deal with all jobs and have a network of distributors in various locations, serving customers in the agricultural, farming, machinery sectors & domestic housing market.

Our kit industrial sheds are manufactured from premium BlueScope Steel so you can be confident you are investing in a strong and durable product. Utilising steel with cladding in ZINCLAUME® or COLORBOND®, gives you the peace of mind you deserve.

All buildings are supplied in kit form or fully erected on site by our experienced builders.

## Design and Specifications



**Widths Available  
Up to 30m**

RHS Skillion	0-10m
RHS Gable	0-15m
UB Frame	0-30m

**Wall Heights Available  
up to 8m**

RHS Skillion	0-5.3m
RHS Gable	0-6m
UB Frame	0-8m

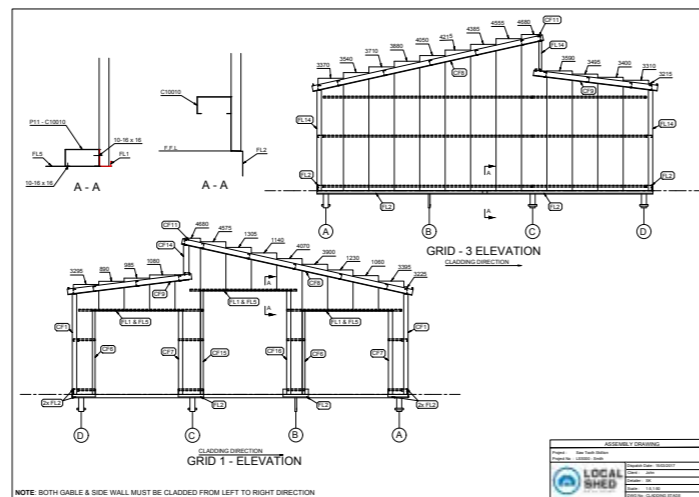
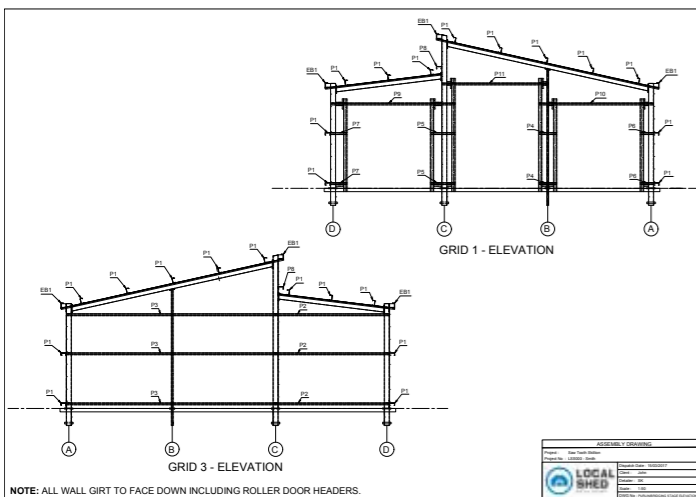
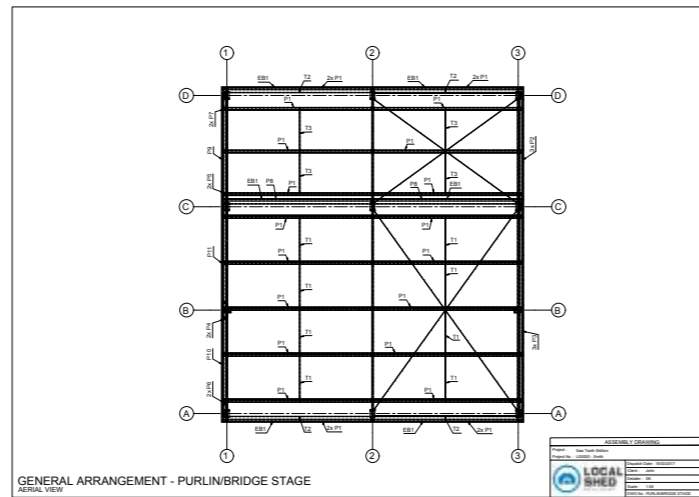
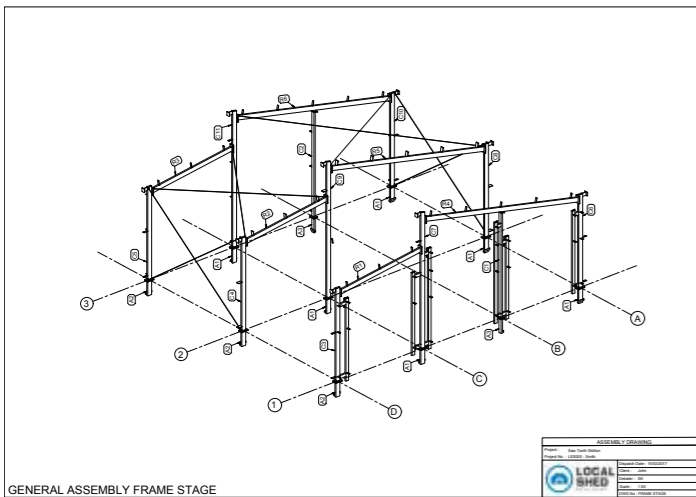
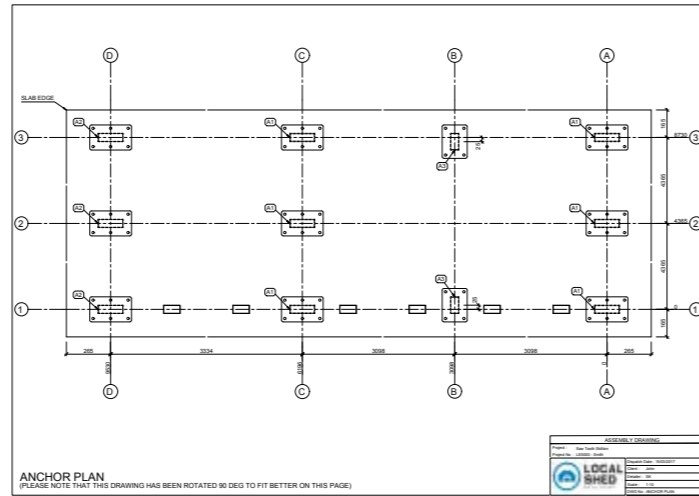
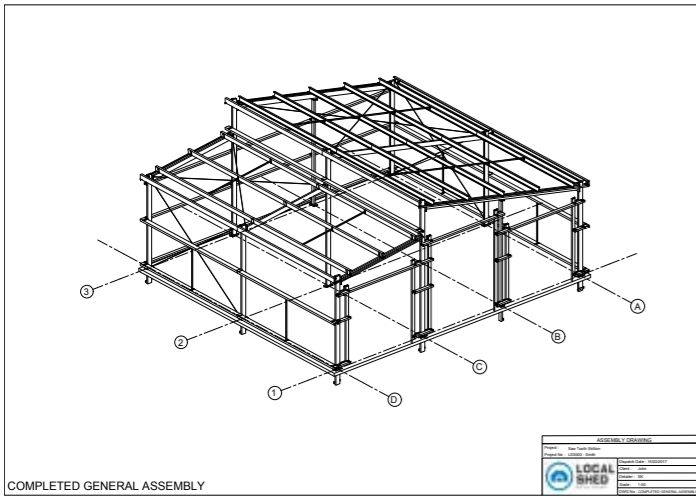
**Bay Sizes Available  
up to 9m Bays**

RHS Skillion	0-7.5m
RHS Gable	0-7.5m
UB Frame	0-9m

**Roof Pitches Available  
up to 30°**

RHS Skillion	0-10°
RHS Gable	0-30°
UB Frame	0-10°

# Local Shed Solutions Assembly Drawings



# Colorbond®

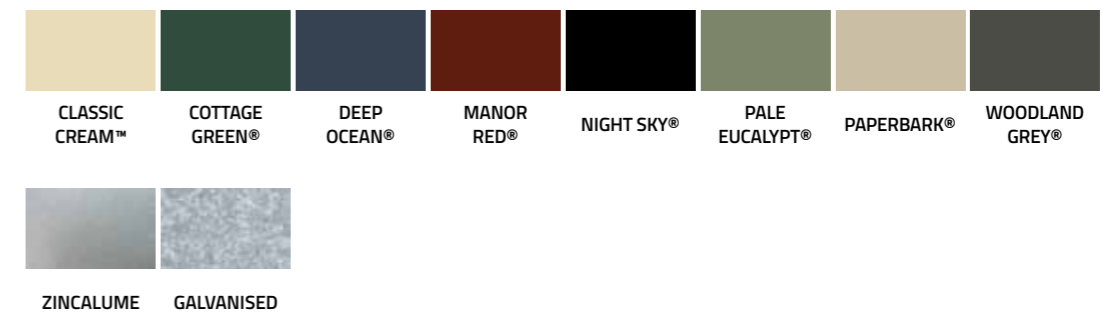
COLORBOND® steel, being lightweight, durable and easy to maintain is an ideal choice. Available in a huge variety of prefabricated designs that can be configured to your exact needs, providing the perfect balance of style, cost, ease of building and recyclability. COLORBOND® steel sheds can also be customised for added convenience, comfort and security. This includes different doors, windows, colours and profiles.

COLORBOND® wall and roof cladding also delivers many practical benefits. It is easy to maintain, long lasting, lightweight and extremely durable; resisting chipping, flaking and blistering.

## Contemporary



## Classic







# LOCAL SHED SOLUTIONS

Your Vision Our Solution



Your Local Distributor:

**LOCAL SHED SOLUTIONS**

03 9775 1706 | 0402 582 153  
sales@localshedsolutions.com.au  
www.localshedsolutions.com.au

