

Electrochemical

Gas Sensor
2500
Series

Gas Detection
(Australia) Pty Ltd



Side of the
product

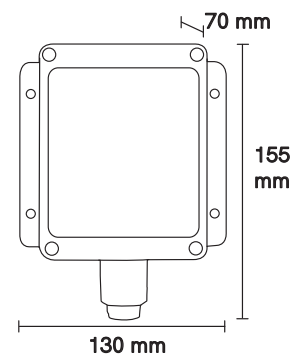


Replaceable
gas sensor head

Gas types > Carbon Monoxide(Co) | Ammonia(NH₃) | Nitrogen Dioxide (NO₂) | Oxygen (O₂) | Hydrogen Sulphide (H₂S) | Sulphur Dioxide (SO₂) | Ethylene (C₂H₄)

Specifications

- ✓ Loop powered 4-20 mA output
- ✓ Robust design
- ✓ Easy calibration and maintenance
- ✓ Low Temp version available
- ✓ <25 mA @ 24 Voc power consumption
- ✓ Calibration kit available



CONTACT US >

07 4613 5111
sales@gasdetect.com.au
www.gasdetectionaustralia.com.au