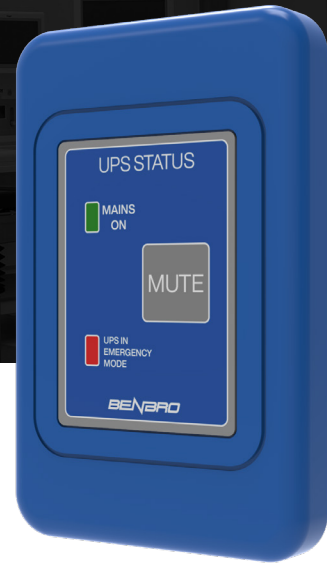


UPS Status Indicator



Description

The Benbro UPS Status Indicator (UPSSI) has been specifically designed to provide remote indication of the UPS Status in a medical environment and is suitable for installation in Operating theatres, Intensive care, Recovery wards, Isolation rooms, nursing stations, Treatment rooms, and other Special care areas.



Standard Model



Stainless Model

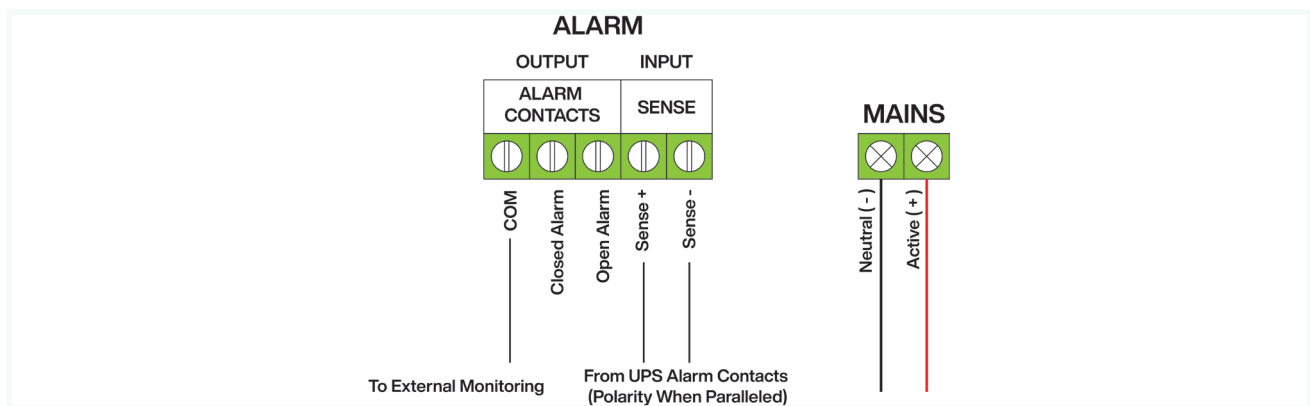
Function

The unit is connected to the UPS electrical supply system and will indicate "Mains on" with a green LED indicator. The unit will indicate loss of supply to the UPS ("UPS in emergency mode") with a synchronised, pulsating, audible alarm and a Visual flashing red LED alarm indicator, The UPSSI is equipped with an audio mute button (the Audible alarm will continue until muted). The visual alarm (and the audible alarm – if not muted) shall continue until the supply is restored to the UPS or the UPS is exhausted.

Features

- The unit is available with 240VAC as well as 12 VDC input voltage.
- Suitable for wall mounting in a standard Australian electrical accessory bracket.
- The mute function can be configured to “time out” if left unattended for periods of 1hr – 4hrs.
- The UPSSI can be provided with an optional relay alarm output voltage free contact (normally open or closed on alarm).
- Upon total loss of the mains power, the alarm contacts will be in the “Closed Alarm” state.

Wiring Diagram



WARNINGS:

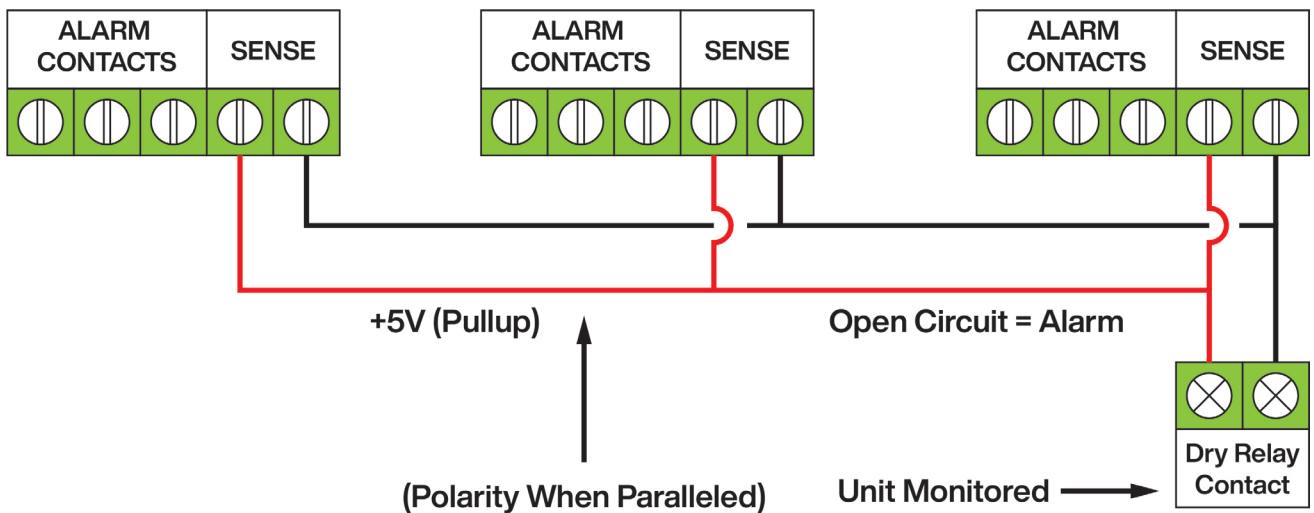
- The unit is a 240Vac Mains operated device and needs to be installed by a Licenced Electrician.
- A fire enclosure needs to be provided upon final installation.
- An appropriate mains disconnect device shall be provided external to the UPS status indicator panel.

Specifications

Power Supply	100Vac-240Vac, 55mA/36mA Max, 47-63Hz (From UPS)
Fuse Rating	400mA 250V Slow Blow (F1). Fuse Must be replaced with one of the same rating.
Mains Indicator	Green LED indicates mains on
Alarm Indicator	Flashing Red LED indicates UPS in emergency mode
Audible Alarm	Pulsing buzzer indicates UPS in emergency mode
Mute Function	1hr-4hrs in 1hr increments
Alarm Input	Voltage free contact – normally closed open on alarm
Alarm Output Option*	Voltage free contact (normally open – closes on alarm)
Alarm Output Contact Rating	1A 24VDC / 0.5A 125Vac
Input Power Connector	Screw terminals suitable for 2.5mm ² wiring
Input Alarm Connector	Screw terminals suitable for 2.5mm ² wiring
Alarm Output Connector Option*	Screw terminals suitable for 2.5mm ² wiring
Operating Temperature Range	0-55°C
Dimensions	116mm x 75mm x 30mm (Standard Australian Electrical accessory plate format)

Mute Delay Setting Procedure

1. Press and hold in the 'Mute' button on the unit and after approximately 15 seconds, the 'Red' on the unit will start to flash quickly and in time with the audible beep from the buzzer, the 'Green' LED will remain steadily on.
2. Once the above flashing has started, let go of the 'Mute' button on the unit, wait for the Red LED to stop flashing and then press the 'Mute' button the desired number of times as per the list below. Each press will be accompanied by a flash from the 'Red' LED and a beep from the buzzer. Note the maximum is five presses.
 - 1 Press = 1 Hour Delay
 - 2 Presses = 2 Hours Delay
 - 3 Presses = 3 Hours Delay
 - 4 Presses = 4 Hours Delay
 - 5 Presses = 1 Minute Delay
3. After pressing the 'Mute' button the desired times, wait and the unit will confirm and indicate the number of times you pressed the button by flashing the 'Red' LED accompanied by an audible beep the number of times the button was pressed, this is to indicate to you the settings that it is storing.
4. The unit has now stored the desired settings and is ready for use.



Product Codes	Input Voltage	Construction
5100432	12-24VDC	Stainless
5100439	240VAC	Stainless
5100433	12-24VDC	Standard
5100420	240VAC	Standard

