

# TOW 'N' MOW

## HEAVY DUTY SLASHERS

*Tow 'n' Mow Slashers are suitable to be towed behind Utes, Tractors, ATVs and Ride-on Mowers.*

*Used as an independent cutting attachment the unit can be used to mow lawns and slash paddock grass.*



**(03) 5281 2111**

**[www.tow-n-mow.com.au](http://www.tow-n-mow.com.au)**



MOW LAWNS



SLASH PADDOCK GRASS



TRIPLE BLADE CUTTING SYSTEM



EASY MAINTENANCE



QUICK ADJUSTABLE HEIGHT CONTROL TURNBUCKLE



CHOICE OF QUALITY HONDA & KAWASAKI ENGINES

**TOW 'N' MOW** Slashers are manufactured from quality materials, powdercoated and zinc plated for long lasting performance in the harshest of environments.

**Fully Australian Owned and Manufactured in Victoria.**

### Models:

#### TNM-13ME

- Honda GXV390
- 13Hp Slasher
- Man & Elect Start
- Machined Steel Pulleys

#### TNM-18K

- Kawasaki FR600V
- 18Hp Slasher
- Electric Start
- Machined Steel Pulleys

#### TNM-23E

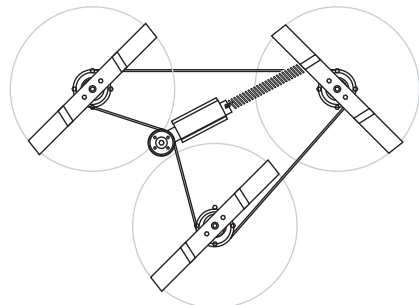
- Honda GXV630
- 23Hp Slasher
- Electric Start
- Machined Steel Pulleys

### Features:

- > Triple Blade Cutting System
- > Quick adjustable height control turnbuckle
- > Rear grass discharge
- > Suitable for vineyards, orchards & large areas
- > 1170mm (46") cutting width
- > Configurable side or standard centre drawbar position
- > Easy maintenance to all belts, blades & pulleys
- > Optional 50mm Trailer Coupling (Draw Bar)
- > Honda & Kawasaki engine options available.

### Specifications:

Overall length:	1750mm
Overall width:	1200mm
Overall height:	550mm – 750mm
Tyre size:	(6 Ply) 4.00-8
Cutting heights:	20mm – 200mm
Cutting deck:	5mm Plate
Dry mass:	180 – 190kg



**(03) 5281 2111**

**www.tow-n-mow.com.au**