

ACCENT 800

NO NEED TO COMPROMISE

The Accent™ is a fire that will enhance the feel of a living room without breaking the bank. With all the features you would expect from a gas log fire, it delivers a stunning flame pattern within a compact fire that will fit into the average size living room with ease. The new Power flue™ technology enables installations in variety of applications and also includes a full remote control.

Power balanced flue

New Application

Natural gas and LPG approved

Full remote control function

Double glazed space heater



For more information please contact:

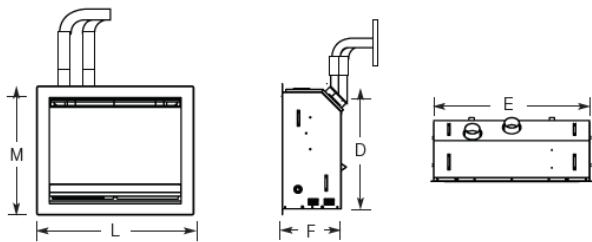
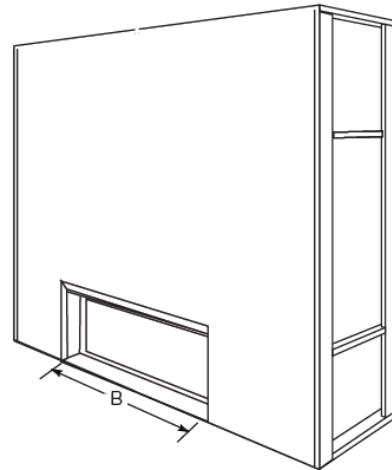
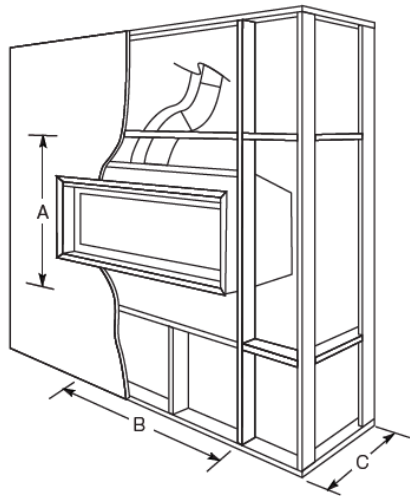
P : 1300 554 155

E : flame@glendimplex.com

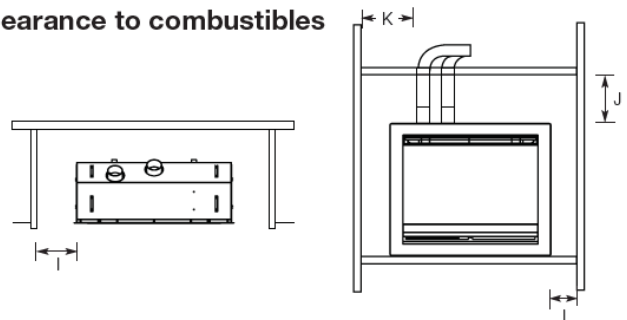
W : www.realflame.com.au



ACCENT 800



Clearance to combustibles



| | A | B | C | D |
|-----|-----|-----|-----|-----|
| 800 | 611 | 800 | 350 | 606 |

| E | F | G | H | I | J | K | MAX | Trim | |
|-----|-----|----|----|---|---|----|----------------|------|-----|
| | | | | | | | FLUE | L | M |
| 790 | 296 | 83 | 83 | 5 | 5 | 25 | 5 M 4 BENDS | 794 | 657 |

| Mj/h | | kW | | Star Rating | | GPO Required | Ventilation |
|------|------|-----------|-----|-------------|-----|-----------------|--------------|
| NG | LPG | NG | LPG | NG | LPG | | |
| 26.5 | 24.5 | Up to 6.2 | | Up to 4.5 | | 10 amp | Not Required |