



**PARK
FURNITURE
AUSTRALIA**

PFA330
Lawrence seat



This bench is part of our Lawrence series. a stylish, robust and versatile option for your public space. With a cast Aluminium frame which can be powder coated in the dulux colour range or custom colour anodizing.

Available with or without armrests, this chair can be customised to suit the look and feel of your space.



Strong &
Durable



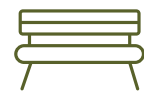
Will not rust.
Powdercoat
protected



Eco
Sustainable



Low
Maintenance

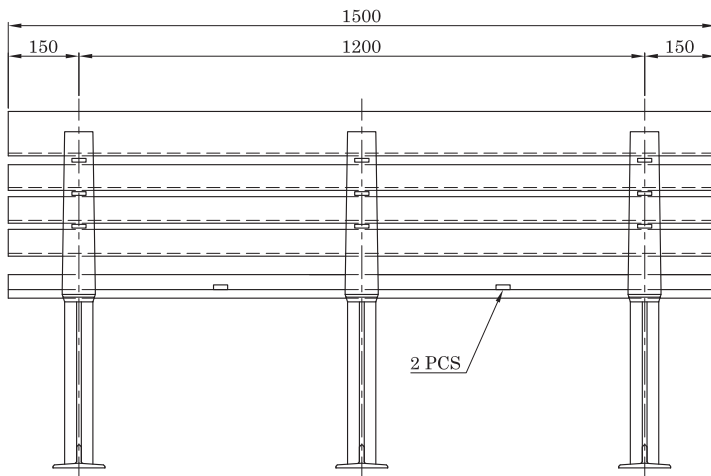


Custom range



Technical Specifications

PFA330
Lawrence seat



Dimensions

1800L x 504W x 756H

Materials

Aluminium
Cast aluminium

Fixings

Bolt down

Finishes

Anodised Aluminium | Powdercoated
| Aluminium anodised wood grain

Other options

Complete custom seat
Arm rests available

Lengths available

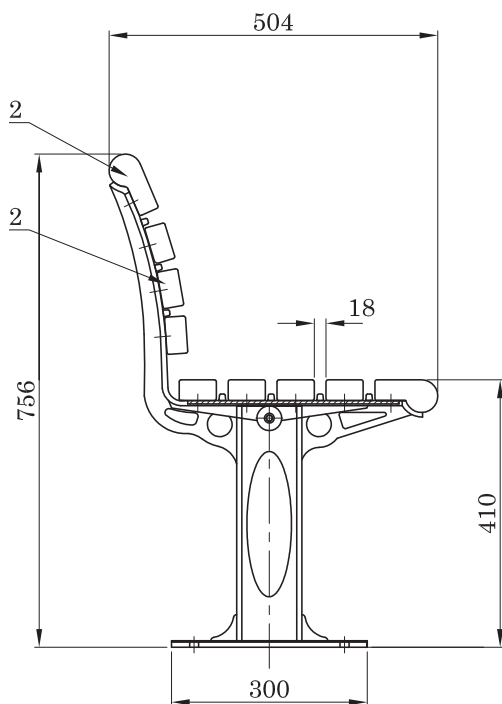
1800 | 2000 | 2400 | custom

Frame colours

Plain milled finish | Powdercoated
Dulux colours | Clear anodised |
Timber look finish | custom

Frame colours

Powdercoated Dulux colours



Park Furniture Australia are proud to actively work towards meeting these sustainable development goals as laid out by the United Nations.

