



The Pulse Junior bottle refill station is a robust, economical solution designed especially for junior primary and middle school campuses.

The station features water access points at a reduced height – ideal for young children – while customisable, vandal-resistant signage panels allow for fun educational artwork to be featured on the exterior.

Product features

- 1200mm height
- Two anti-bacterial bottle refill points
- Internal drainage, allowing for indoor or outdoor installation
- DDA-compliant wheelchair-accessible design
- Customisable graphic panels with anti-graffiti protection
- Removable panel for easy filter replacement
- Two year warranty*

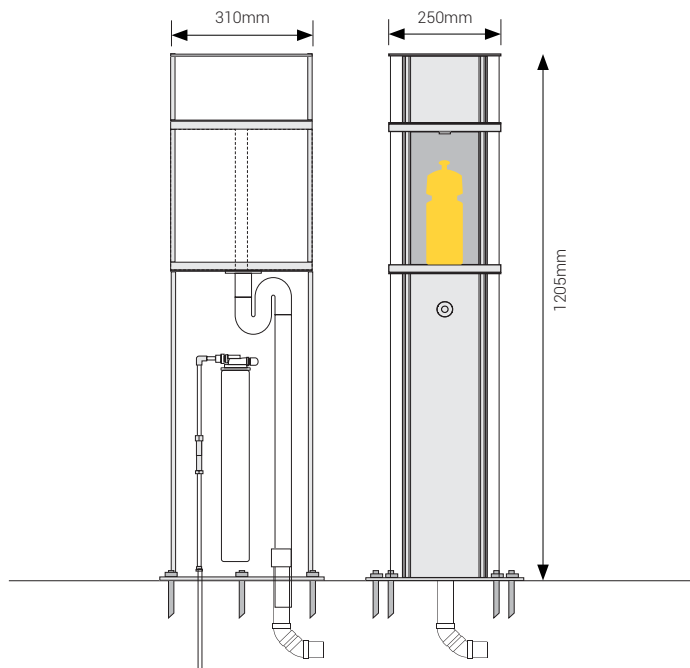
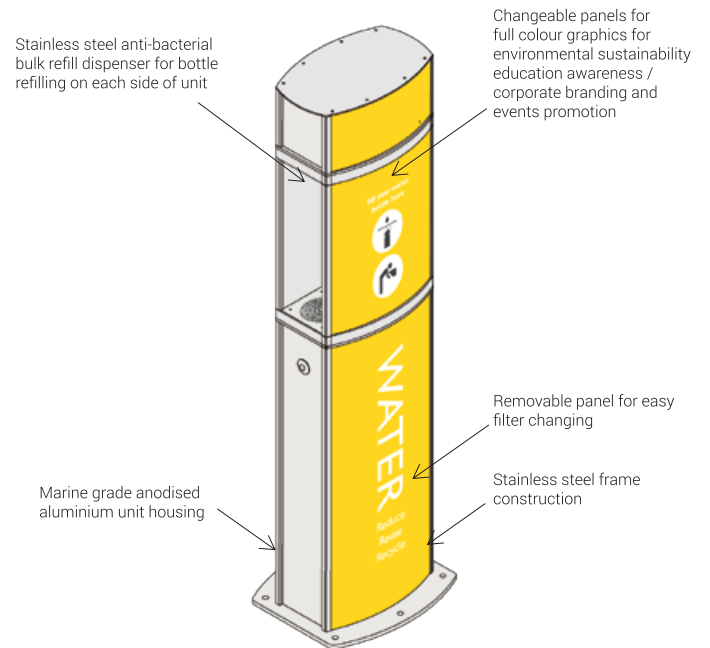
Additional options

- Optional inbuilt water filter
- Optional inbuilt water meter
- Optional remote chiller
- Optional remote chiller with housing for outdoor installations

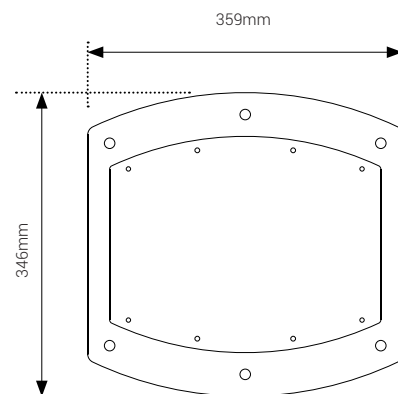
Technical Details

Housing frame	Stainless steel
Housing unit	Anodised aluminium
Graphic panels	Stainless steel
Filter unit option	Sub-micron or 5 micron
Filter unit working pressure	10-125 psi (0.7-8.5 bar), non-shock
Water supply connection	1/2 inch supply line with 1/2 inch Male BSP connection
Drainage	40mm PVC

*Please refer to the Aquafil® Product Warranty for full terms and conditions



Front & Side view with filter detail



Plan view