



MINE

LIGHTING

2020 Product Catalogue V 3.0



This 2020 edition of the Ultra Mine Catalogue show-cases our latest developments within the LED lighting sector, incorporating a number of new products.

Our manufacturing base has grown significantly and we now do in-house electronics production and assembly for the majority of our products. This makes us versatile to adaptations within the market but also ensures we retain total control of the quality and ultimately the performance of the products.

Our new purpose built factory will further streamline our processes and facilitate our focus on R&D and OEM projects. If you have a specific project, or unsolved lighting issues, call us to discuss your requirements.

CONTENTS

PAGE.1 ENFORCER

PAGE.2 INVADER

PAGE.3 ATOM

PAGE.4 RAPTOR DRIVING LED

PAGE.5 RAPTOR LIGHT BARS

PAGE.6 FLARE

PAGE.7-8 MINE MASTER

PAGE.9 BULKHEAD

PAGE.10 SKY MASTER

PAGE.11 FLOOD MASTER

PAGE.12 HIGH BAYS

PAGE.13 AUSTRALIAN MADE

PAGE.14 LIGHTING PLANS & LAYOUTS

PAGE.15 KELVIN COLOUR TEMPERATURES

Ultra Vision Lighting

3 Westbrook Road Swan Hill, VIC 3585 AUSTRALIA

Ph: +61 3 5032 2106 Fax: +61 3 5033 0793

Free Call: 1800 66 55 66

Email: sales@ultra-vision.com.au





ENFORCER

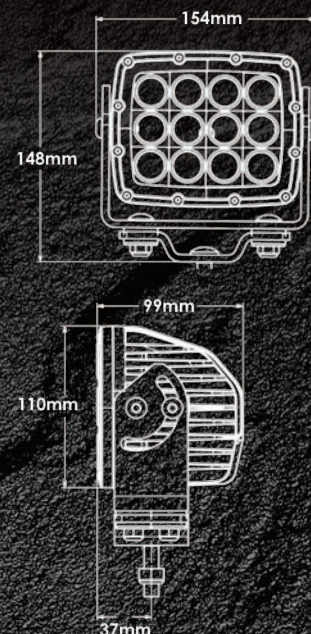


The Dura Vision Enforcer 60w LED work lamp offers the latest in high powered LED technology, designed for use on heavy duty mining vehicles. With a compact design, waterproof to IP69 and vibration ratings of 25G RMS the Enforcer provides lighting solutions in the most demanding environments. Electronic Thermal management ensures a minimum of 50'000 working hours is achieved, even when used continuously. Utilising a 5mm stainless steel bracket with 145° of adjustment the Enforcer is one of the most versatile lamps available. The Enforcer is also available as a 24V only option to deter theft of lamps on site.



SPECIFICATIONS	STANDARD
Wattage	60 Watt
Light Source	12 x 5W L.E.D's
Light Output (raw)	9100 Lumens
Light Output (effective)	6480 Lumens
Voltage	9V-32V DC or 24V DC only
Current Draw	2.5A @ 24V DC
Operating Temp	-40°C to +85°C
Vibration Rating	25 GRMS
IP Rating	IP69
Connector Type	Deutsch DT 2 Pin
Housing	Die-Cast Alloy
Lens Construction	Polycarbonate
Bracket	5mm S/Steel
Colour Temp	4000K or 5700K
Lifespan	50'000 Hours
Net Weight	2.5 kg
EMC Rating	CISPR 25 Class 3
Mounting Suitable	All types
Beams Available	10 - 110 Deg
Warranty	5 Years
Dimming Control	Yes (Optional)

PART NUMBERS	MULTI -VOLT	24 VOLT
Euro Beam - Multivolt	DV512LEDEU/S	DV512LED24EU/S
Wide Flood Beam - Multivolt	DV512LEDWF/S	DV512LED24WF/S
Flood Beam - Multivolt	DV512LEDFB/S	DV512LED24FB/S



INVADER



The Dura Vision Invader 50w LED work lamp offers the latest in high powered LED technology, designed for use on heavy duty mining vehicles. With a compact design, waterproof to IP69 and vibration ratings of 25G RMS the Invader provides lighting solutions in the most demanding environments. Electronic Thermal management ensures a minimum of 50'000 working hours is achieved, even when used continuously. With a slightly smaller footprint than the Enforcer but utilising a similar 5mm stainless steel bracket the Invader is one of the most versatile lamps available. The Invader is also available as a 24V only option.



SPECIFICATION

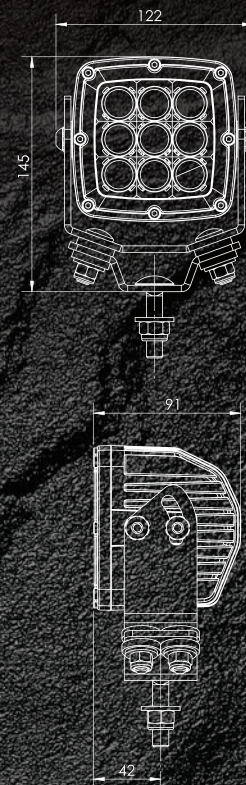
Wattage	50 Watt
Light Source	9 x 6W
Light Output (raw)	6800 Lumens
Light Output (effective)	5248 Lumens
Voltage	10V-36V or 24V DC only
Current Draw	2.1A @ 24V
Operating Temp	-40°C to +85°C
Vibration Rating	25 GRMS
Waterproof Rating	IP69
Connector Type	2 Pin standard Deutsch
Housing	Die-Cast Alloy
Lens Construction	Polycarbonate
Bracket	5mm Stainless Steel
Colour Temp	4000K or 5700K
Lifespan	50'000 Hours
Net Weight	1.8kg
EMC Rating	CISPR 25 Class 3
Mounting Suitable	Upright & Pendent
Beams Available	10-110 Deg
Warranty	5 Years
Fixings	Stainless Steel

PART NUMBERS

MULTI-VOLT

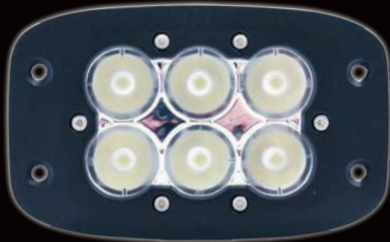
24 VOLT

Euro Beam	DV550LEDEU/Y	DV550LED24EU/Y
Wide Flood Beam	DV550LEDWF/Y	DV550LED24WF/Y



ATOM

Dura Vision ATOM LED work lamps have proved their high performance and rugged construction in some of the most harsh environments. Available in 3 output options, the Atoms cover a wide range of applications from work lights on light vehicles to lighting stairways, gangways and service areas on large machines. Their high light output relative to size, along with their IP68 waterproof rating, makes them extremely versatile.



25 W

PART NUMBERS

Wide Flood	DVA20LEDWFR
Euro Beam	DVA20LEEUR



25 W

PART NUMBERS

Wide Flood	DVA20LEDWF
Euro Beam	DVA20LEDEU



45 W

PART NUMBERS

Wide Flood	DVA45LEDWF
Euro Beam	DVA45LEDEU

SPECIFICATIONS

Wattage	25 Watt
Light Source	6 x Hi-output LEDs
Light Output (raw)	2900 Lumens
Light Output (effective)	2328 Lumens
Voltage	9-36V or 24V only
Current Draw	1A @ 24V
Operating Temperature	-40 to + 80 Deg.C
Waterproof rating	IP69
Connector Type	2 Pin Deutsch
Housing	Die Cast Alloy
Lens Construction	Polycarbonate
Bracket	3mm SS
Colour temperature	3000,4000k or 5700k
Lifespan	50,000 hours
Diameter/dimensions	92x88x58
Net Weight	460g
EMC Rating	CISPR 25 Class 3
Mounting suitable	Upright and Pendant
Beams available	25 & 60 deg
Warranty	5 Years

SPECIFICATIONS

Wattage	45 Watt
Light Source	9 x 5w LEDs
Light Output (raw)	5250 Lumens
Light Output (effective)	4180 lumens
Voltage	10-36 or 24v only
Current Draw	1.9A @ 12V
IP Rating	IP69
Connector Type	Deutsch DT 2 Pin
Housing	4mm stainless
Lifespan	50'000 Hours
Warranty	3 Years
Beams Available	10 - 110 deg
EMC Rating	CISPR 25 Class 3

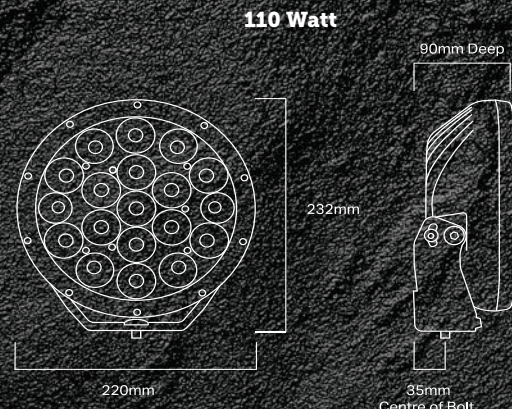
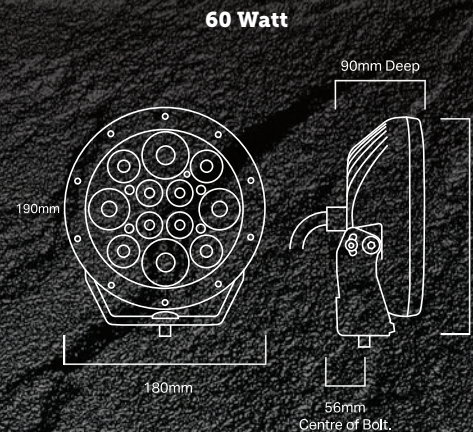
RAPTOR DRIVING LED

The RAPTOR LED Driving Lights feature a high pressure die-cast aluminium housing and high impact polycarbonate lens. The superior optic designs gives a combination beam with both good distance and width from one lamp type. All RAPTOR lamps come complete with a protective lens cover and easy-adjust mounting bracket. Being manufactured in Australia and covered by a 3 year warranty adds total peace of mind.



SPECIFICATIONS	60 Watt	110 Watt
Wattage	60 Watt	110 Watt
Light Source	12x5W L.E.D's	19x6W L.E.D's
Light Output - Raw	7600 Lumens/lamp	13500 Lumens/lamp
Light Output - Effective	6088 Lumens/lamp	12180 Lumens/lamp
Voltage	9-36V	9-36V
Current Draw @ 13.5V	4.5A @ 13.5V	8.2A @ 13.5V
Operating Temp.	-40°C to +80°C	-40°C to +80°C
Waterproof Rating	IP67	IP67
Connector Type	2 Pin standard Deutsch	2 Pin standard Deutsch
Housing	Die-Cast Alloy	Die-Cast Alloy
Lens Construction	Polycarbonate	Polycarbonate
Bracket	Stainless Steel	Stainless Steel
Colour Temp	4000k or 5700K	4000k or 5700K
Lifespan	50'000 Hours	50'000 Hours
Diameter/Dimensions	180 x 190 x 90mm	220 x 232 x 90mm
Net Weight	2.3kg	3.2kg
Mounting Suitable	All Types	All Types
Beams Available	Combo	Combo
Warranty	3 Years	3 Years
Distance at 1 Lux	704m	907m

PART NUMBERS	60 Watt	110 Watt
Combo Beam	RAP065DL - (Sold in pairs)	RAP115DL - (Sold in pairs)



RAPTOR LIGHT BARS

The RAPTOR LED Light Bars feature high pressure extruded aluminium housing and high impact polycarbonate lens. The superior optic designs gives a combination beam with both good distance and width from one lamp type. All RAPTOR lamps come complete with easy-adjust mounting bracket. Being manufactured in Australia and covered by a 3 year warranty adds total peace of mind.



SPECIFICATIONS

	60 Watt	90 Watt	120 Watt	180 Watt
Wattage	60 Watt	90 Watt	120 Watt	180 Watt
Light Source	12 x 5W Cree L.E.D's	18 x 5W Cree L.E.D's	18 x 5W Cree L.E.D's	36 x 5W Cree L.E.D's
Light Output - raw	7200 Lumens/lamp	10800 Lumens/lamp	14400 Lumens/lamp	21600 Lumens/lamp
Light Output - effective	5790 Lumens/lamp	5790 Lumens/lamp	11500 Lumens/lamp	17300 Lumens/lamp
Voltage	9-36V	9-36V	9-36V	9-36V
Current Draw @ 13.5V	4.5A @ 13.5V	6.7A @ 13.5V	8.9A @ 13.5V	13A @ 13.5V
Operating Temperature	-40°C to +80°C	-40°C to +80°C	-40°C to +80°C	-40°C to +80°C
Waterproof rating	IP67	IP67	IP67	IP67
Connector Type	2 Pin standard Deutsch	2 Pin standard Deutsch	2 Pin standard Deutsch	2 Pin standard Deutsch
Housing	Aluminium	Aluminium	Aluminium	Aluminium
Lens Construction	Polycarbonate	Polycarbonate	Polycarbonate	Polycarbonate
Bracket	Stainless Steel	Stainless Steel	Stainless Steel	Stainless Steel
Colour temperature	4000k or 5700K	4000k or 5700K	4000k or 5700K	4000k or 5700K
Lifespan	50'000 Hours	50'000 Hours	50'000 Hours	50'000 Hours
Diameter/dimensions	370 x 51 x 73mm	500 x 51 x 73mm	630 x 51 x 73mm	1000x 51 x 73mm
Net Weight	1.2kg	1.70kg	2.10kg	2.90kg
Mounting suitable	Base	Base	Base	Base
Beams available	Combination	Combination	Combination	Combination
Warranty	3 Years	3 Years	3 Years	3 Years
Distance at 1 Lux	442m	538m	627m	768m
PART NUMBERS	RAP060LB	RAP090LB	RAP120LB	RAP180LB

The Flare is the most versatile mine-spec LED tube lamp available on the market. Mounted in a high-impact-resistant tube and waterproof to IP68 the Flare provides an extremely rugged and slimline luminaire. The use of Deutsch connectors on both ends facilitates linking them together in a daisy-chain but they can also be used in isolation.

The lamp produces a bright, 180° flood of light and is suitable for a wide range of applications including engine bays, walkways and conveyor systems. The modules can easily be mounted by spring clips or clamps.



PART NUMBERS	LUMENS (effec.)	WATTAGE	VOLTAGE	CURRENT	LENGTH	DIAMETER
DVF05LED24-2	700 Lumens	5 Watt	20V - 30V DC	0.21A	340mm	20mm
DVF10LED24-2	1400 Lumens	10 Watt	20V - 30V DC	0.42A	620mm	20mm
DVF15LED24-2	2100 Lumens	15 Watt	20V - 30V DC	0.62A	900mm	20mm
DVF20LED24-2	2800 Lumens	20 Watt	20V - 30V DC	0.83A	1180mm	20mm
DVF05LED24-3	700 Lumens	5 Watt	20V - 30V DC	0.21A	340mm	35mm
DVF10LED24-3	1400 Lumens	10 Watt	20V - 30V DC	0.42A	620mm	35mm
DVF15LED24-3	2100 Lumens	15 Watt	20V - 30V DC	0.62A	900mm	35mm
DVF20LED24-3	2800 Lumens	20 Watt	20V - 30V DC	0.83A	1180mm	35mm

Please Note: If you require only a single plug, please add '-1' to the end of the part number

LED MEANWELL DRIVERS

LED Drivers are available to operate the Flare from a 240V AC source. Please refer to table for drivers available. Tubes can be daisy chained and powered off one driver.

PART No.	WATTAGE	VOLTAGE	PART No.	WATTAGE	VOLTAGE
DLX80	80 Watts	90V - 285V AC	DLX185	185 Watts	90V - 285V AC
DLX120	120 Watts	90V - 285V AC	DLX240	240 Watts	90V - 285V AC
DLX150	150 Watts	90V - 285V AC	DLX320	320 Watts	90V - 285V AC

ULTRA CLAMPS

We offer a range of clamps. Call us if you require one for a special application.

SERIES	SIZE	DESCRIPTION	PART No.
Standard	20mm	Standard Single Mount Clamp	SCS20
Heavy	20mm	Heavy Duty Single Mount Clamp with Rubber Mount	SCS20HD
Twin Standard	20mm & 20mm	Standard Twin Mount Clamp	SCD20
Twin Heavy	20mm & 20mm	Heavy Duty Twin Mount Clamp with Rubber Mount	SCD20HD
ACT Clamps	20mm	Anti Corrosion Technology - Single Mount	SCS20ACT
Hand Rail Clamp	20mm & 32mm	Suitable for Mounting a Single Tube to Hand Rails	SCS20HR



MINE MASTER

EXCELLENT FOR:

- Lighting Towers
- Area Flood Lighting
- Heavy Machinery Lighting
- Ship Yards
- Fishing Vessels
- Oil Rigs
- Security Flood Lighting



The Mine Master has been designed as an energy efficient alternative for all MH & HPS lamps.

The Mine Master II is housed in the toughest extrusion available on the market and rated to 15.8g/rms and waterproof to IP68. The lamps are built in Australia and designed to withstand the worst conditions, covered by a 5 year warranty.

The Mine Master II has been designed for use on lighting towers, crusher plants, heavy machinery and similar applications. The technology used in the electronic circuitry allows the unit to operate at over 110 lumens/watt, making it one of the most efficient on the market.

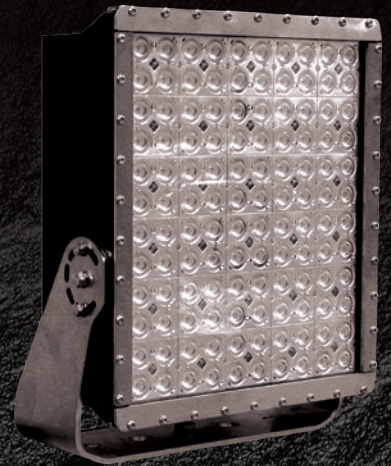
The use of optics controls the light to a high degree, ensuring that the light produced is directed to where you need it most. Having 6 options of beam pattern ensures every application is covered.



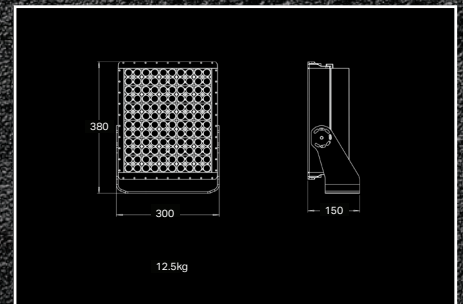
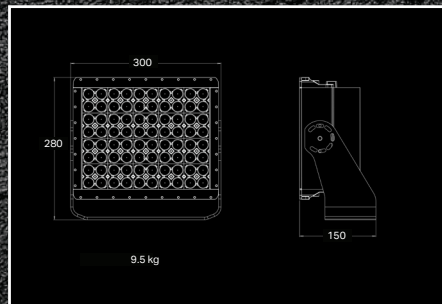
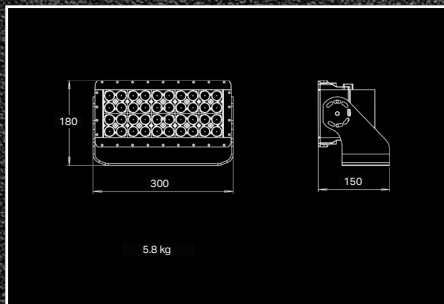
180 W



360 W



500 W



REMOTE DRIVER OPTION AVAILABLE

MINE MASTER

240V AC VERSION

Wattage	150w	320w	480w
Light output raw	20,850 lumens	44,480 lumens	66,720 lumens
Light output effective	16,200lm @ 65°C	34,560lm @ 65°C	51,840lm @ 65°C
LED Efficacy	126 lm/W	123 lm/W	123 lm/W
Voltage range	90-305vAC	90-305vAC	90-305vAC
Current draw	0.65A	1.45A	2.1A
Operating temp	-40 - +70°C	-40 - +70°C	-40 - +70°C
Vibration rating	NA	15G rms	15G rms
IP rating	IP68	IP68	IP68
EMC Rating	CISPR 25 Class 3	CISPR 25 Class 3	CISPR 25 Class 3
Housing	Aluminium	Aluminium	Aluminium
Colour temp K	4000k or 5700k	4000k or 5700k	4000k or 5700k
Lens construction	Polycarbonate	Polycarbonate	Polycarbonate
Bracket	5mm Stainless steel	5mm Stainless steel	5mm Stainless steel
Lifespan	50,000 H	50,000 H	50,000 H
Net weight	7kg	12KG	15kg
Mounting	all types	all types	all types
Beams	10, 25, 40, 60, 70x40 & 110	10, 25, 40, 60, 70x40 & 110	10, 25, 40, 60, 70x40 & 110
Warranty	5 Years	5 Years	5 Years

Part Number	150w 240vAC	320w 240vAC	480w 240vAC
--------------------	-------------	-------------	-------------

BEAM TYPE

10deg Flood Light	DVZ150---	DVZ320---	DVZ480---
25deg Flood Light	DVZ150---	DVZ320---	DVZ480---
40deg Flood Light	DVZ150---	DVZ320---	DVZ480---
60deg Flood Light	DVZ150---	DVZ320---	DVZ480---
70x40deg Flood Light	DVZ150---	DVZ320---	DVZ480---
110deg Flood Light	DVZ150---	DVZ320---	DVZ480---

415V AC also available

MINE MASTER DC VOLT VERSION

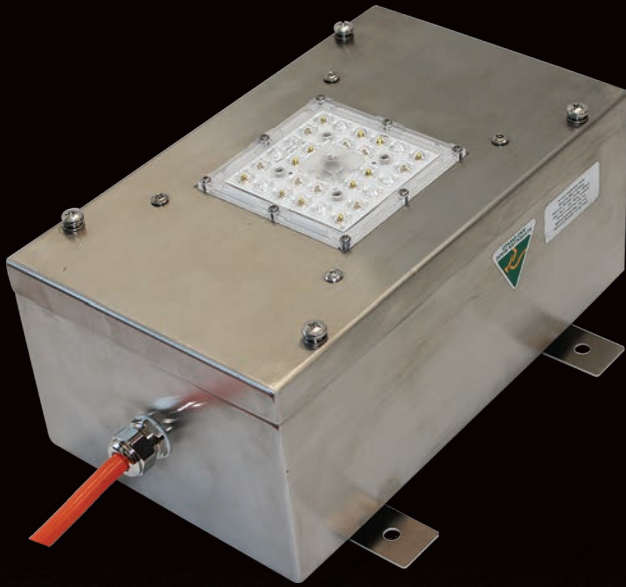
Wattage	180w	240w	340w	500w
Light output raw	24,700 lumens	36,550 lumens	47,550 lumens	70,350 lumens
Light output effective	19,950 lumens @ 65°C	28,500 lumens @ 65°C	36,950 lumens @ 65°C	54,650 lumens @ 65°C
LED Efficacy	131 lm/W	145 lm/W	133 lm/W	134 lm/W
Voltage range	21-55vDC	21-55vDC	21-55vDC	21-55vDC
Current draw	7.2A @ 25vDC	13.6A @ 25vDC	13.6A @ 25vDC	20A @ 25vDC
Operating temp	-40 - +85°C	-40 - +85°C	-40 - +85°C	-40 - +85°C
Vibration rating	15G rms	15G rms	15G rms	15G rms
IP rating	IP68	IP68	IP68	IP68
Connector type	Deutsch/Amphenol	Deutsch/Amphenol	Deutsch/Amphenol	Deutsch/Amphenol
Housing	Aluminium	Aluminium	Aluminium	Aluminium
Colour temp K	4000k or 5700k	4000k or 5700k	4000k or 5700k	4000k or 5700k
Lens construction	Polycarbonate	Polycarbonate	Polycarbonate	Polycarbonate
Bracket	5mm Stainless steel	5mm Stainless steel	5mm Stainless steel	5mm Stainless steel
Lifespan	50,000 H	50,000 H	50,000 H	50,000 H
Net weight	5.8kg	9.5kg	9.5kg	12.5kg
Mounting	all types	all types	all types	all types
Beams	10, 25, 40, 60, 70x40 & 110	10, 25, 40, 60, 70x40 & 110	10, 25, 40, 60, 70x40 & 110	10, 25, 40, 60, 70x40 & 110
Warranty	5 Years	5 Years	5 Years	5 Years

Part Number	180w 21-58vDC	240w 21-58vDC	340w 21-58vDC	500w 21-58vDC
--------------------	---------------	---------------	---------------	---------------

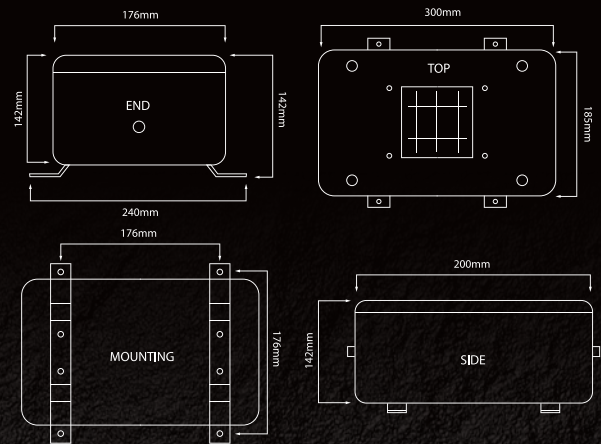
BEAM TYPE

10deg Flood Light	DVM180---	DVM240---	DVM340---	DVM500---
25deg Flood Light	DVM180---	DVM240---	DVM340---	DVM500---
40deg Flood Light	DVM180---	DVM240---	DVM340---	DVM500---
60deg Flood Light	DVM180---	DVM240---	DVM340---	DVM500---
70x40deg Flood Light	DVM180---	DVM240---	DVM340---	DVM500---
110deg Flood Light	DVM180---	DVM240---	DVM340---	DVM500---

BULKHEAD



The BULK HEAD LIGHT has been designed to provide a robust and sealed lamp for a variety of heavy industrial and mining applications. Housed in an IP67 stainless steel or aluminium box and offering 2 options of beam pattern, these low profile lamps can be mounted inside, outside or underground. A further option includes a battery back-up system for emergency lighting.



SPECIFICATIONS

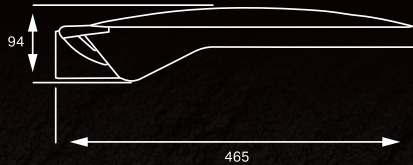
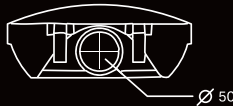
	Non Emergency	Non Emergency	Emergency	Emergency
Wattage	25w	50w	25w EMG	50w EMG
light output effective @ 75degC	2780lm	5100lm	2780lm	5100lm
LED Efficacy Raw	130lm/w	130lm/w	130lm/w	130lm/w
Voltage Range	90vAC-305vAC	90vAC-305vAC	90vAC-305vAC	90vAC-305vAC
Current Draw @ 240vAC	0.1A	0.2A	0.1A	0.2A
Power Factor (Full Load)	>0.93	>0.93	>0.93	>0.93
Operating Temp	~30degC to 80degC	~30degC to 80degC	~30degC to 80degC	~30degC to 80degC
IP Rating	IP67	IP67	IP67	IP67
Housing	316 SS or Alloy	316 SS or Alloy	316 SS or Alloy	316 SS or Alloy
Colour Temp STD	4000k	4000k	4000k	4000k
Colour Temp options	3000k or 5700k	3000k or 5700k	3000k or 5700k	3000k or 5700k
HPS / MH Equivalent	50W	75W	50W	75W
Lens Construction	Polycarbonate	Polycarbonate	Polycarbonate	Polycarbonate
Lifespan	50,000+ Hours	50,000+ Hours	50,000+ Hours	50,000+ Hours
Beam Types	4 beam types	4 beam types	4 beam types	4 beam types
Emergency Function & Run Time	N/A	N/A	6w 3 hours	6w 3 hours
Emergency Function light output	N/A	N/A	820 lm	820 lm
Electronic Thermal Management	Yes	Yes	Yes	Yes
Warranty	5 Years	5 Years	5 Years	5 Years

PART NUMBERS

	Non Emergency	Non Emergency	Emergency	Emergency
Skymaster part No SS sl beam	SM25W4SLSS	SM50W4SLSS	SM25W4SLSSEM	SM50W4SLSSEM
Skymaster part No Al sl beam	SM25W4SLAL	SM50W4SLAL	SM25W4SLALEM	SM50W4SLALEM

SKY MASTER

The Sky Master has been designed to offer an industrial grade alternative to traditional metal halide street and conveyor lights. The smooth cover prevents build-up of dirt and debris, making for better long term efficiency and easier maintenance. With two beam pattern and two wattage options available, the Sky Master covers all the bases. A further option includes a battery back-up system for emergency lighting.



SPECIFICATIONS	Non Emergency	Non Emergency	Emergency	Emergency
Wattage	25w	50w	25w EMG	50w EMG
Light Output Effective @ 75degC	2780lm	5100lm	2780lm	5100lm
LED Efficacy Raw	130lm/w	130lm/w	130lm/w	130lm/w
Voltage Range	90vAC-305vAC	90vAC-305vAC	90vAC-305vAC	90vAC-305vAC
Current Draw @ 240vAC	0.1A	0.2A	0.1A	0.2A
Power Factor (Full Load)	>0.93	>0.93	>0.93	>0.93
Operating Temp	~30degC to 80degC	~30degC to 80degC	~30degC to 80degC	~30degC to 80degC
Waterproof Rating	IP66	IP66	IP66	IP66
Housing	Aluminium	Aluminium	Aluminium	Aluminium
Colour Temp STD	4000k	4000k	4000k	4000k
Colour Temp Options	3000k or 5700k	3000k or 5700k	3000k or 5700k	3000k or 5700k
CRI	70 min	70 min	70 min	70 min
HPS / MH Equivalent	50W	75W	50W	75W
Lens Construction	Polycarbonate	Polycarbonate	Polycarbonate	Polycarbonate
Lifespan	50,000+ Hours	50,000+ Hours	50,000+ Hours	50,000+ Hours
Beam Types	2 beam types	2 beam types	2 beam types	2 beam types
Emergency Function & Run Time	N/A	N/A	6w 3 hours	6w 3 hours
Emergency Function light output	N/A	N/A	820 lm	820 lm
Electronic Thermal Management	Yes	Yes	Yes	Yes
Weight	7kg	7kg	7kg	7kg
Warranty	5 Years	5 Years	5 Years	5 Years

PART NUMBERS				
SkyMaster part No Street lights beam	SM25W4SL	SM50W4SL	SM25W4SLEM	SM50W4SLEM
SkyMaster part No Area Light beam	SM25W4AL	SM50W4AL	SM25W4ALEM	SM50W4ALEM

FLOOD MASTER

The Flood Master has been designed as a direct alternative to 2kW metal halide fittings in big-area and flood lighting applications. The lightweight construction and asymmetric beam pattern allows them to be used as a 1-for-1 replacement to traditional fittings. In-built over-temperature protection ensures they can operate continuously without issues.



SPECIFICATIONS

1280

Input Power	1280w
LED	HI Power LED
Lumen Output	151,000lm
Working temperature	-40 to +70C
Power factor	>0.9
Driver (240v & 415v)	4x320W
Protection class	IP66
Impact resistance	IK09
Earth connection	Class 1
Material	Aluminium Body
Size (excl handle)	540x790x120mm
Weight	25kg
Lifespan	50 000hrs
Colour temperature	4000 - 5700K
Input voltage	90-415VAC, 50/60Hz
Beam type	Narrow Asymmetric / Wide / Track
CRI	70-90 Ra
Dim/RC (optional)	1-10V / DMX / DALI
Windage @ 15° tilt	0.175
Warranty	5 Years
Beam Pattern	Flood
Part Number	DVF1280LEDf

Other wattages available

HIGH BAYS

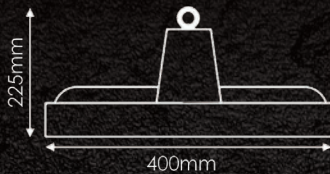
As one of Australia's premier LED manufacturing companies, Ultra Vision has a reputation to uphold in terms of delivering excellence. Warehouse and area lighting is no exception.

Duralux high bays are designed to directly replace conventional metal halide & HPS highbays, significantly reducing current draw and providing high levels of uniform light – instantly. These lights are designed for peak performance, even when operating in extreme temperature conditions. With a minimum life-expectancy of 50000 hours Duralux high bays deliver an excellent return on investment by way of reduced maintenance and increased productivity.

By operating at 130+ lumens/watt these modules provide exceptional light yet only use 25% of the electricity of conventional HPS units and 75% of most LED high bays.

The addition of an optional daylight harvesting module optimises energy savings by monitoring daylight levels and dimming the luminaire appropriately. This system can also be used to control lighting levels to a preset value, as required by the dairy industry.

For new-build projects, contact us to discuss IES files and lighting plans to ensure optimal efficiency.



The Duralux Lowbay can also be fitted with a PC lens making it suitable for food processing plants.

SPECIFICATIONS	80W	100W	120W	150W	180W
Wattage	80 Watt	100 Watt	120 Watt	150 Watt	180 Watt
No. of LED's	408 L.E.D's	504 L.E.D's	600 L.E.D's	756 L.E.D's	840 L.E.D's
Light Output (raw)	12'400 Lumens	15'500 Lumens	18'600 Lumens	23'200 Lumens	27'900 Lumens
Light Output (effective)	11'000 Lumens	13'600 Lumens	16'320 Lumens	20'200 Lumens	24'120 Lumens
Voltage AC	90V - 305V AC	90V - 305V AC	90V - 305V AC	90V - 305V AC	90V - 305V AC
LED Efficiency	155lm/Watt	155lm/Watt	155lm/Watt	155lm/Watt	155lm/Watt
System Efficiency	130+ lm/Watt	130+ lm/Watt	130+ lm/Watt	130+ lm/Watt	130+ lm/Watt
Operating Temp.	-30°C to +70°C	-30°C to +70°C	-30°C to +70°C	-30°C to +70°C	-30°C to +70°C
IP Rating	IP67	IP67	IP67	IP67	IP67
Connector Type	AUS 3 pin Plug	AUS 3 pin Plug	AUS 3 pin Plug	AUS 3 pin Plug	AUS 3 pin Plug
Housing	Die-Cast Aluminium	Die-Cast Aluminium	Die-Cast Aluminium	Die-Cast Aluminium	Die-Cast Aluminium
Colour (CRI)	Ra>80	Ra>80	Ra>80	Ra>80	Ra>80
Colour Temperature	5000K	5000K	5000K	5000K	5000K
Lifespan	50'000 + Hours	50'000 + Hours	50'000 + Hours	50'000 + Hours	50'000 + Hours
Net Weight	7kg	7.1kg	7.2kg	7.2kg	7.2kg
Beams Angles	140°	140°	140°	140°	140°
Ideal Hanging Height	3m - 5m	5m - 7m	6m - 8m	8m - 10m	10m - 13m
Metal Halide Equivalent	400W - 450W	520W - 580W	660W - 720W	740W - 800W	800W +
Warranty	5 years	5 years	5 years	5 years	5 years
PART NUMBERS	80W	100W	120W	150W	180W
140° Beam	DLX80LB14	DLX100LB14	DLX120LB14	DLX150LB14	DLX180LB14

AUSTRALIAN MADE

Why does Ultra Vision manufacture in Australia?

Firstly, we believe in Australia as a manufacturing country. Secondly, it gives us total control over the quality of the finished product ensuring that it can do exactly what we say it can do. In our harsh environments, this can be the difference between success and failure, life and death. Thirdly, it gives us a lot of flexibility for trying new ideas and keeping ahead with new innovations.

Having invested heavily in our people, a purpose built factory in north Victoria and hi-tech equipment, ensures we are prepared for whatever design and manufacturing challenges come up in the future.

Australia's No.1 manufacturer of LED for extreme environments.

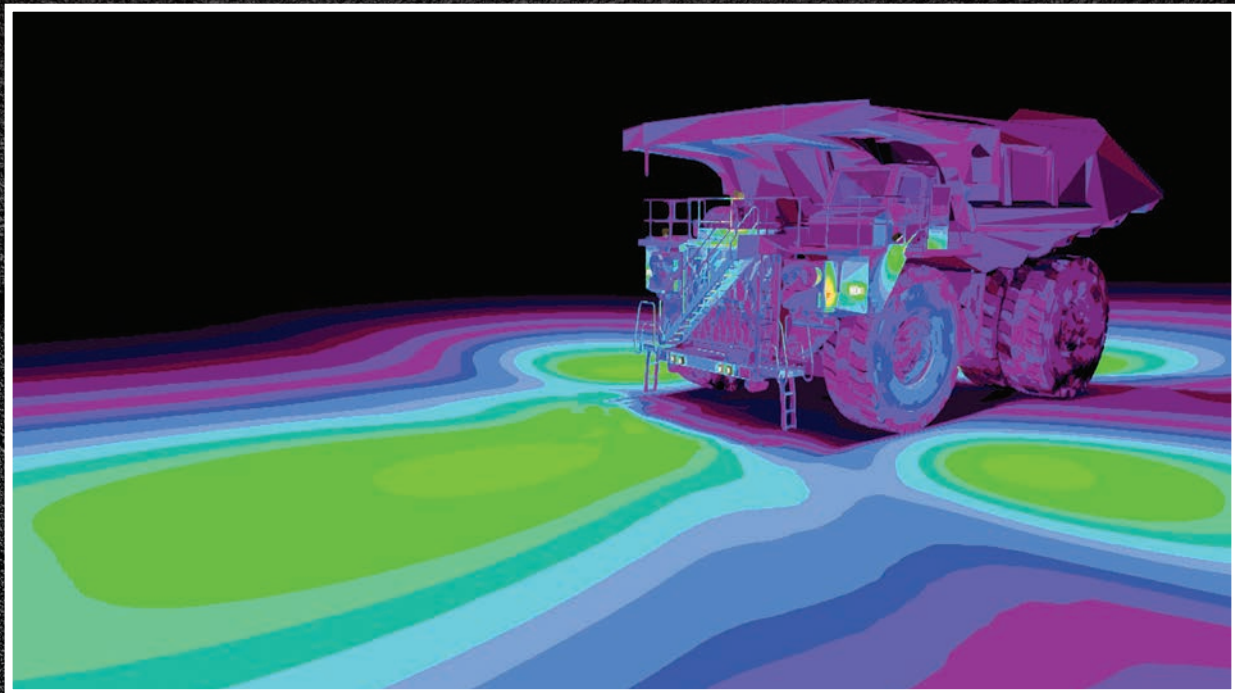
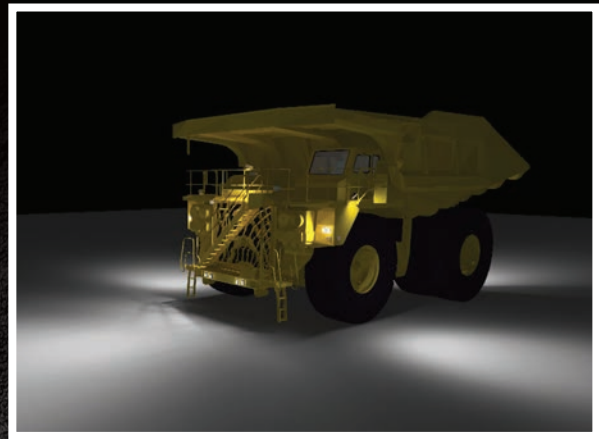
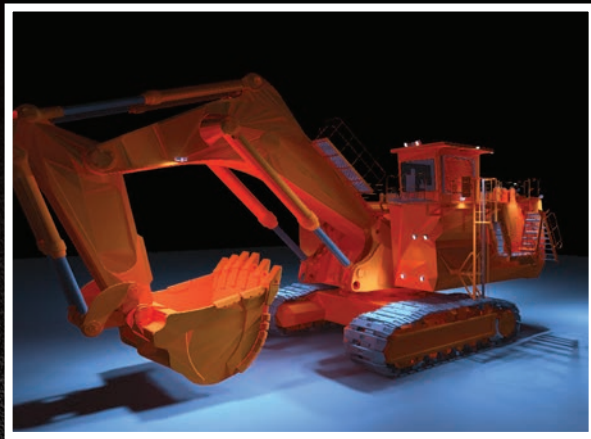


Part of our production facilities at our Swan Hill Head Quarters.



LIGHTING PLANS & LAYOUTS

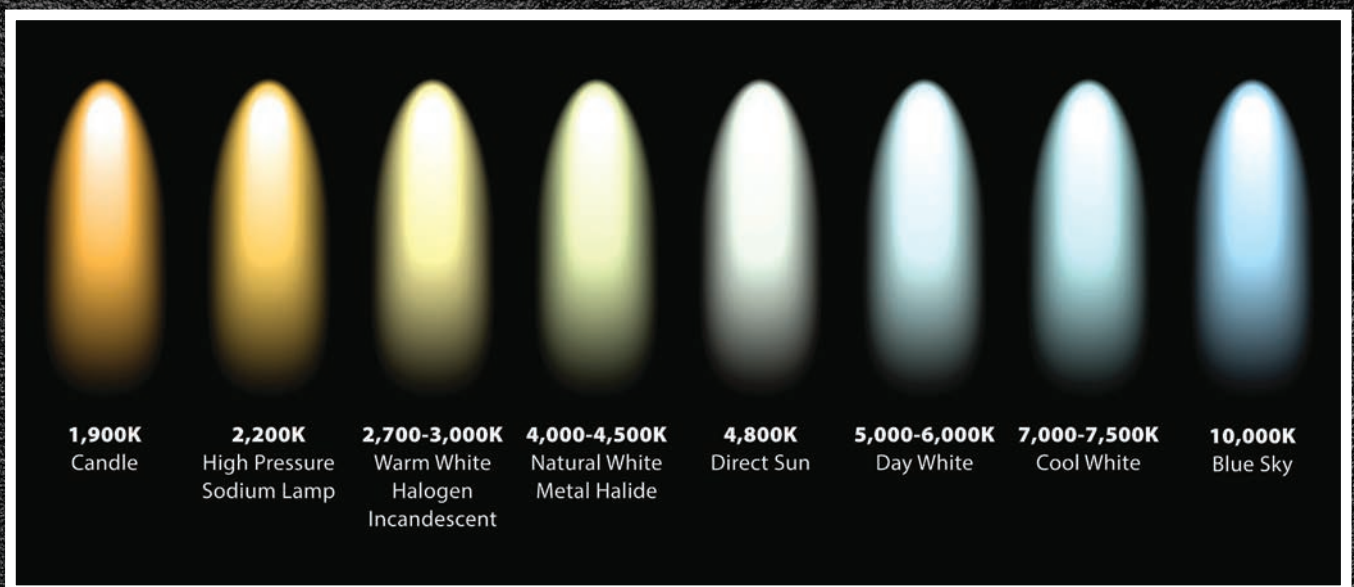
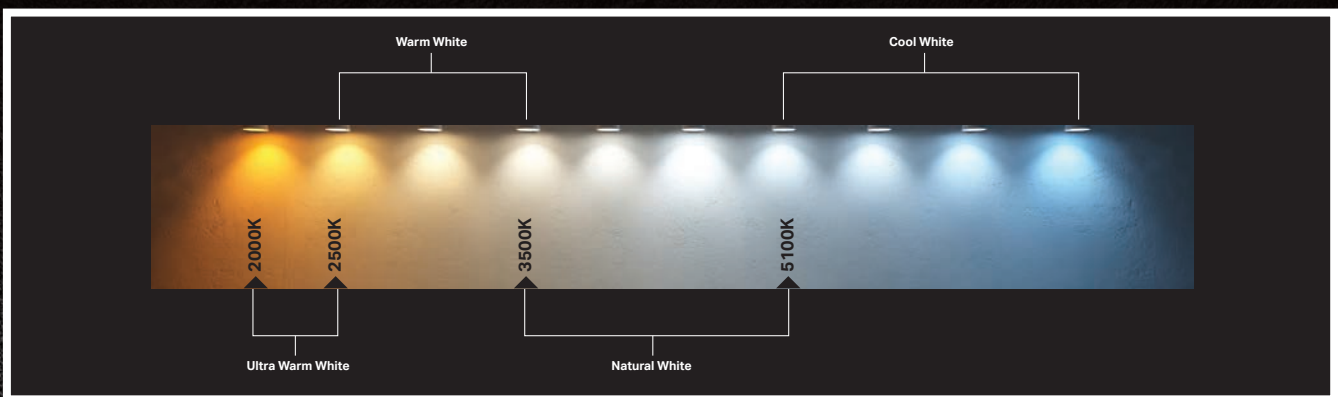
When planning lighting replacement for mine vehicles it is important to make sure you're getting the right amount of light, in the right places. Ultra Visions light plan service ensures that all these factors are taken care of. Doing a digital lighting plan with your specific vehicle ensures maximum accuracy of results and guarantees compliance. Depending on the level of service required, Ultra offers on-site visits for before/after lux readings and formal lighting layouts which show where and at what angle each light needs to be placed.



KELVIN COLOUR TEMPERATURE

The Kelvin Colour Temperature scale describes the colour of the light output of a lamp. This has varied from the traditional Halogen at 3000K which is quite yellow, through to blue/white LED which is typically around 6500K. When LED first came out people liked the crisp white light compared to the yellow halogen. However, when working in very dusty environments, the white LED's reflect off the dust, causing a lot of glare. To overcome this Ultra Vision has introduced a 3000K and 4000K LED option. This gives the advantages of solid-state LED but also the advantages of halogen for penetrating dust and reducing glare. With the technology improvements in LED there are now LED's available for the complete colour temperature spectrum.

If you are unsure what is best for your application speak to our team to arrange a demonstration or trial.







**AUSTRALIA'S
NO 1 MANUFACTURER
OF LED LIGHTING FOR
EXTREME ENVIRONMENTS**

Distributor: