



Zone

workspace
commercial furniture



Flexibility is key in the modern workplace and the new Zone system from Workspace Commercial Furniture offers unparalleled versatility that can cater to your every need.

As the name suggests, Zone liberates the fixed mundane workplace allowing it to become a dynamic environment with dedicated “zones” that complement the tasks at hand. Zone is easily configurable to suit multiple applications and needs from meetings and collaborative activities to private booths and rest spaces.

Zones composition brings warmth and texture to its surrounds. Its soft corners and upholstered skin is soothing to the eye and conveys a level of calm that is sometimes lost in the clinical sterile office space. Its inherent acoustic properties harbour focus and mindfulness without distraction of loud and persistent office ambience. The added level of privacy allows the individual and/or teams within teams to be devoted to their task without disruption.

All of these characteristics lead to a more positive and effective work environment that allows staff to be in the right “Zone” for success.



Standard Zone 1 - Workstation Pod featuring custom desktop profile

Zone



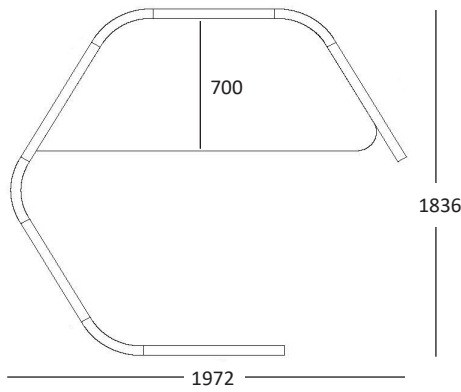
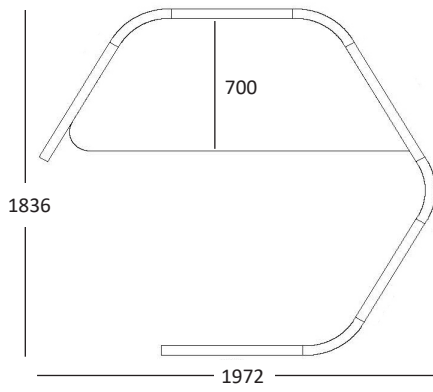
Custom Zone 3 - Meeting Pod featuring radius entry corner

SPECIFICATIONS

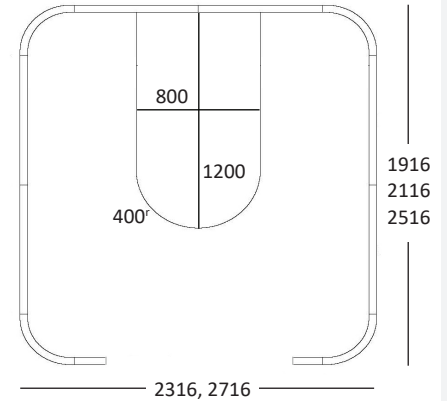
Range	Zone 1 - Workstation Pod Zone 2 - In-line Pod Zone 3 - Meeting Pod Zone 4 - Straight Desk Pod Zone 5 - Hot Pod Zone 6 - Back to Back Pod Zone 7 - Twin Hot Pod
Options	Multiple size options (customised size options upon request) Customised fabric and decorated board finishes available upon request Mirrored configurations available (Customised configurations upon request) Customised worktop profiles available upon request
Features	Hi-sound absorption Adjustable feet for leveling Modular segments for easy transport and assembly Mono-fabric and Multi-fabric options available on request
Finishes	Screen fabric specified by client Worktops standard finishes as per Laminex Standard Commercial range with matches ABS edging
Materials	Screen made from MDF frame with pinnable facing 25mm pre-finishes Melamine worktops
Warranty	10 years



Zone 1 - Workstation Pod



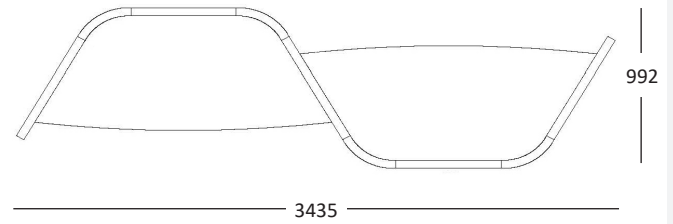
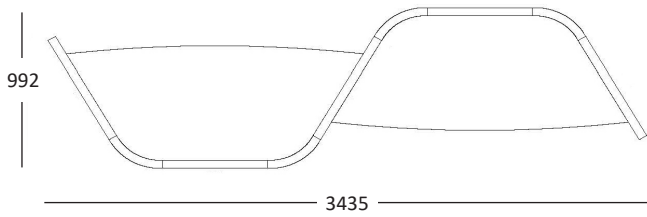
Zone 3 - Meeting Pod



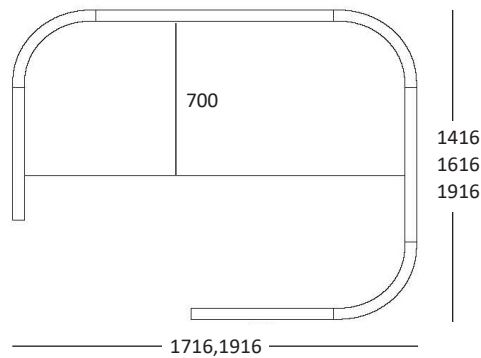
Overall Dimensions

(a) 2316 x 1916 (b) 2316 x 2116 (c) 2716 x 2516

Zone 2 - In-line Pods



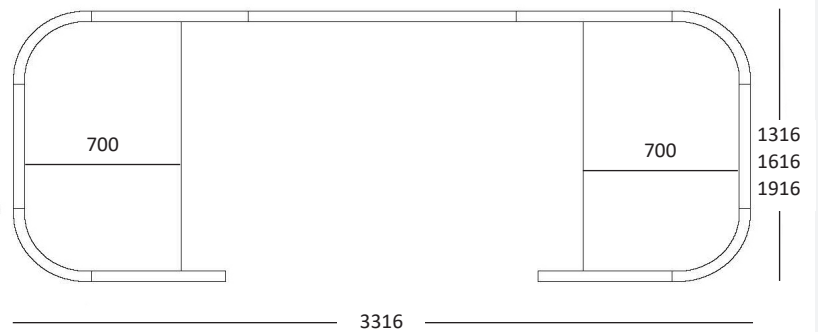
Zone 4 - Straight Desk Pod



Overall Dimensions

(a) 1716 x 1416 (b) 1916 x 1616 (c) 1916 x 1916

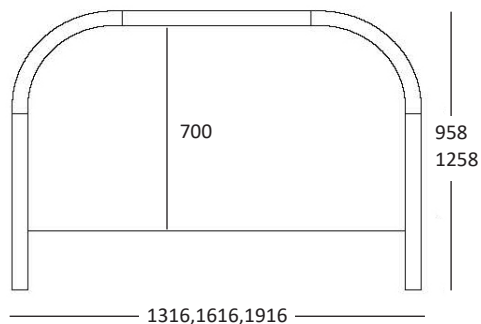
Zone 6 - Back to Back Pod



Overall Dimensions

(a) 3316 x 1316 (b) 3316 x 1616 (c) 3316 x 1916

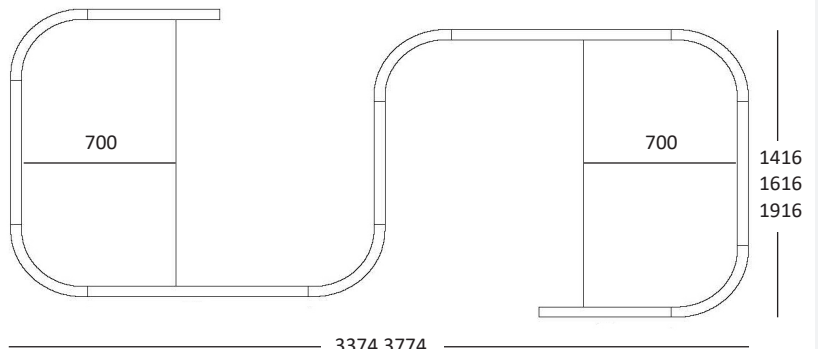
Zone 5 - Hot Pod



Overall Dimensions

(a) 1316 x 958 (b) 1616 x 958 (c) 1916 x 1258

Zone 7 - Twin Hot Pod



Overall Dimensions

(a) 3374 x 1416 (b) 3374 x 1616 (c) 3774 x 1916

Zone product notes

ALL MODULES 1400mm HIGH
ALL INTERNAL RADII 270mm
ALL WALLS 58mm THICK

Zone product notes

ALL WORKTOPS
25mm THICK
700mm DEEP
720mm HIGH

Zone product notes

Zone 3 Table Dimensions 800mm x 1200mm x 25mm
Zone 3 Table comes with disk base as standard