

INSPIRE CLASSIC 600



REAL FLAME

INSPIRE CLASSIC 600

The Inspire Classic 600 is a perfect solution to fill an existing fireplace cavity. Designed using the popular Inspire functionality and features, in particular the repositioning of the fan motor to the rear of the unit for a quieter performance and with a slimmer trim providing a significantly larger viewing area to capture the flames. The option of the infill panel creates a clean finish to any cavity installation.

Keeping you warm

Operating on Natural Gas and LPG, the High Efficiency heater is equipped with the versatile power balanced flue technology, enabling installation of the fireplace to be straightforward. With a star rating up to 4.3 and maximised heating performance of 70m² the heater is designed to efficiently keep those winter nights at bay.

Australian Made

Australian Made in our Melbourne facility, the Inspire Classic 600 has two media options to choose from, the driftwood or the all new snowgum. The new Snowgum media draws inspiration from the Victoria Highlands, derived from natural elements capturing the red, white and brown colours tones from the acutal snowgum tree.





KEY SELLING FEATURES



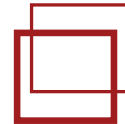
NEW 600 SIZE

A compact Inspire version for a classic finish into your existing fireplace cavity.



MEDIA FUEL SET

2 fuel bed options. Driftwood or Snow Gum.



INFILL PANEL

Infill panel for a seamless finish into an existing fireplace.



Remote Control

Convenience of operation with a touch of a button.



CHARMING FLAME PATTERNS

New and improved burner for an unmatched flame pattern.



POWERFUL ROOM COVERAGE

Heats up room from 70m² with 4.6kW output to keep those winter chills away.



MULTIPLE FLUE INSTALLATION

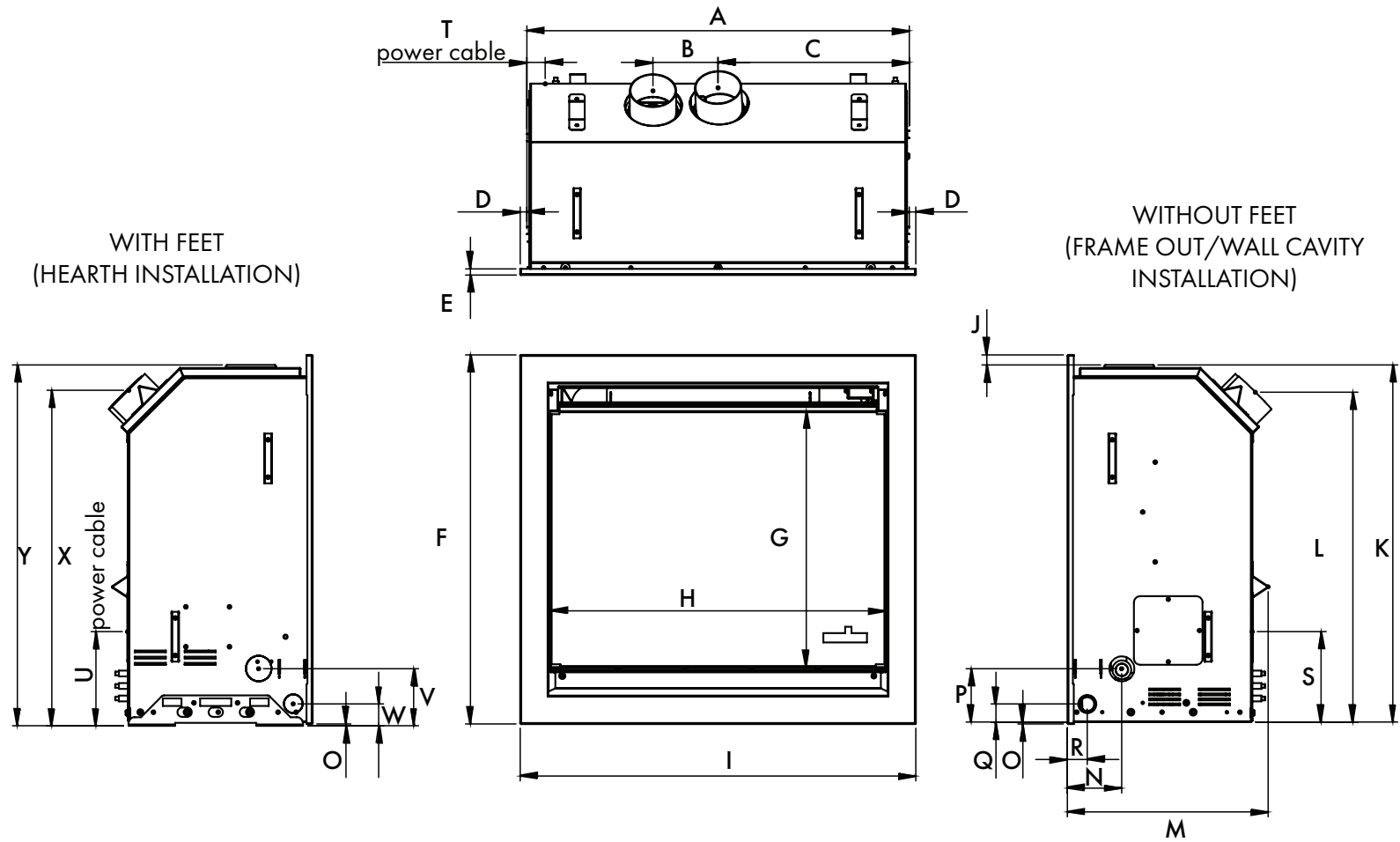
with up to 8.5m flue: horizontal, vertical, or under the floor. Install 0-8.5m with the insulated balanced powerflue kit.



Quiet Fan

Developed with a quiet motor and fan.

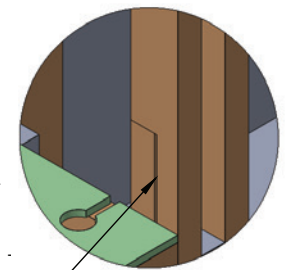
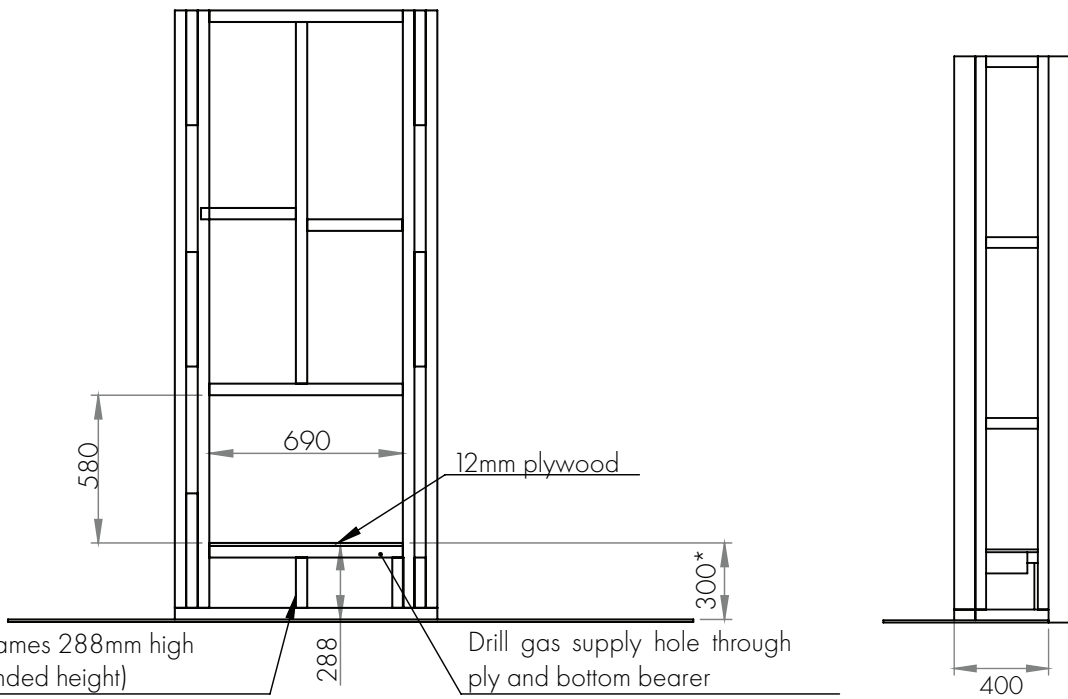
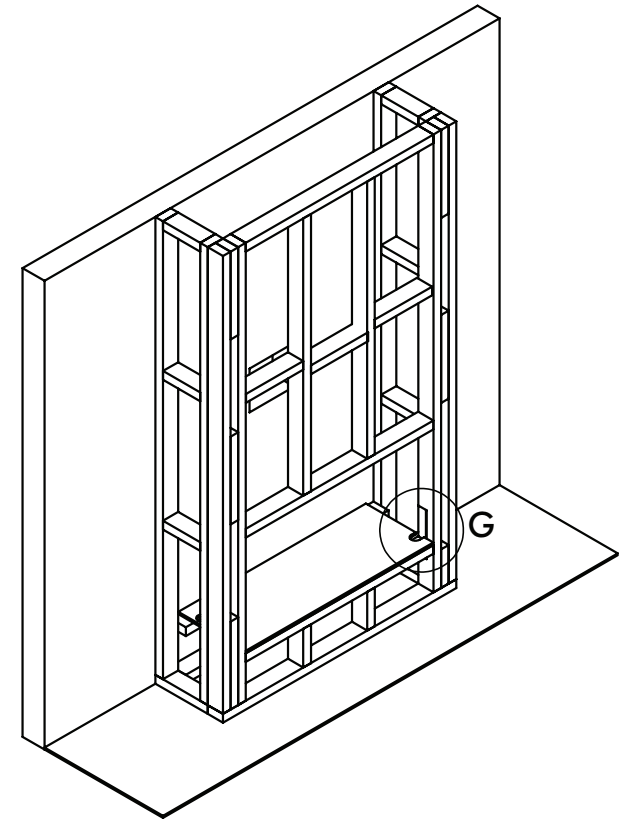
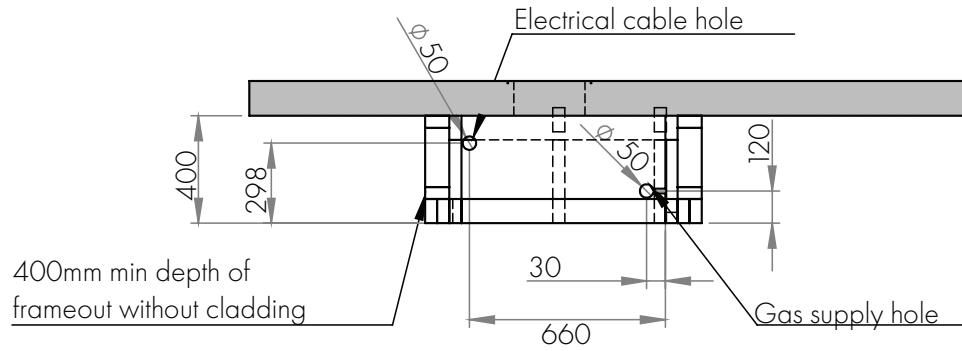
UNIT DIMENSIONS



MODEL	A	B	C	D	E	F	G	H	I	J	K	L	M
Classic 600	614	105	307	10.5	10	592	411	538	635	16	573	529	322
	N	O	P	Q	R	S	T	U	V	W	X	Y	
	87	3	86	29	32	145	39	151	92	35	538	579	

MINIMUM FRAME OUT DIMENSIONS

WITH PINE FRAME



Recommended timber checkout
50mm x 200mm x 45mm
Timber depth for gas clearance -
RH side only

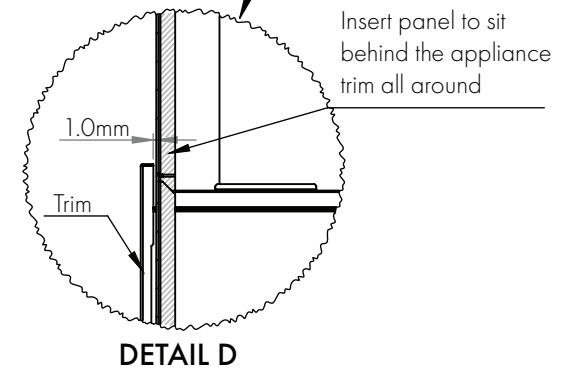
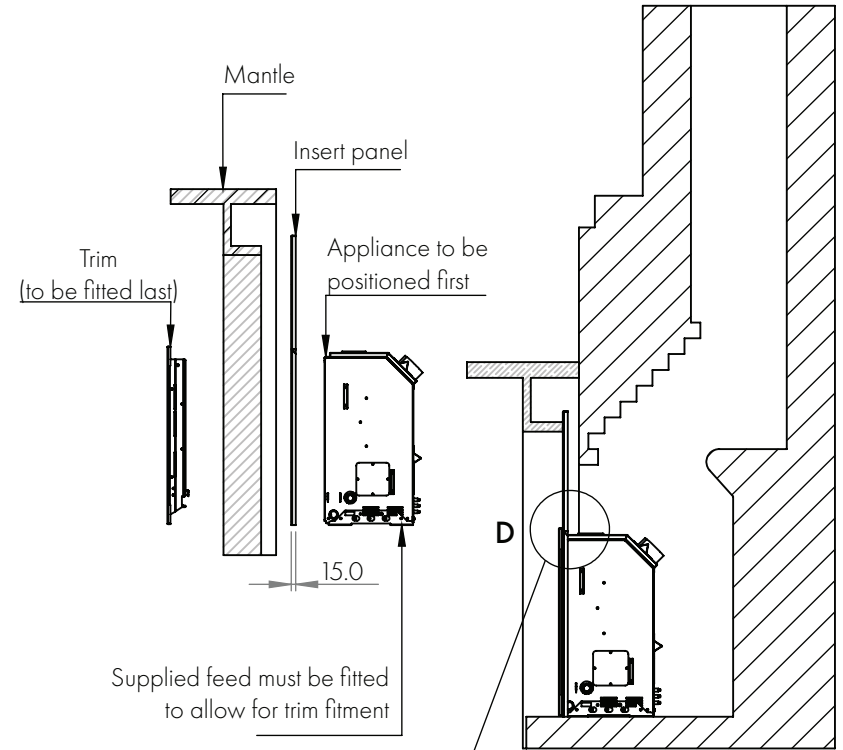
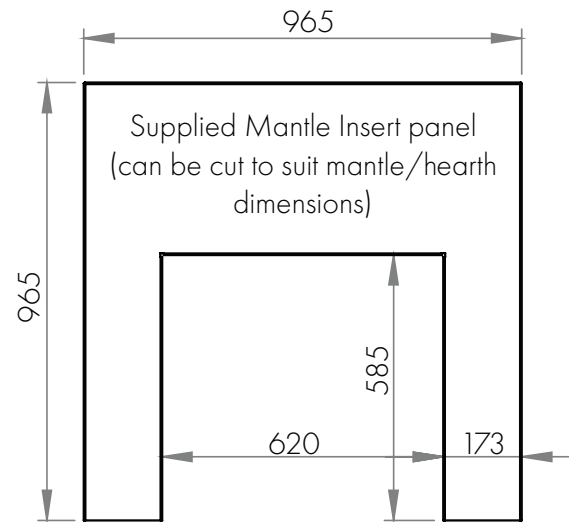
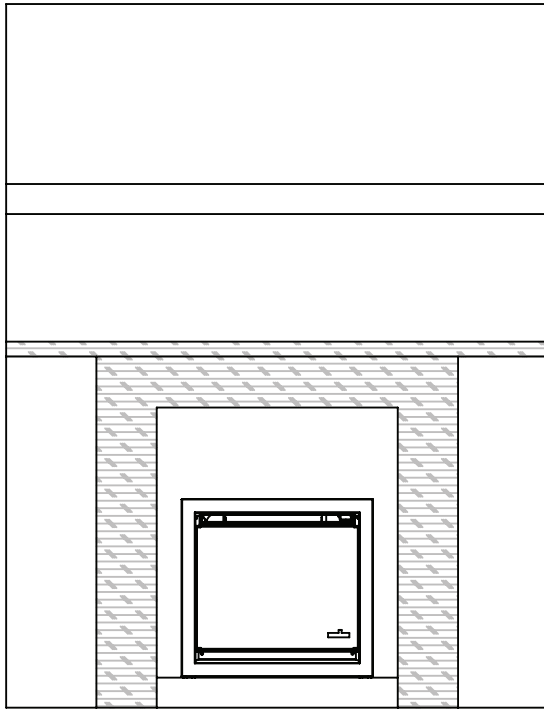
DETAIL G

NOTE Use suitable support base, plywood or similar.

VISIT WWW.REALFLAME.COM.AU FOR MORE INFORMATION. REFER TO THE MANUAL FOR MOST UP TO DATE TECHNICAL INFORMATION.

MINIMUM FRAME OUT DIMENSIONS

MANTLE INSERT PANEL INSTALLATION



SPECIFICATIONS

MODEL	600	
APPLIANCE TYPE	High Efficiency Gas Fireplace	
STAR RATING	up to 4.3 stars	
MAX HEAT OUTPUT	up to 4.6kW	
ROOM SIZE	approx. up to 70m ²	
GAS TYPE	Natural Gas	LPG
GAS INPUT	21.5 High/14 Low	21.5 High/18 Low
OPERATING PRESSURE (TPP)	0.90 kPa High/0.41 kPa Low	2.44 kPa High/1.56 kPa Low
MAX - MIN INLET PRESSURE RANGE	1.13kPa - 3.45kPa	2.75kPa - 3.45kPa
INJECTOR SIZE	1 X 2.08 mm	1 X 1.32 mm

WARRANTY

FIREBOX	10 years
COMPONENTS	2 years

MEDIA OPTIONS



DRIFTWOOD



SNOW GUM



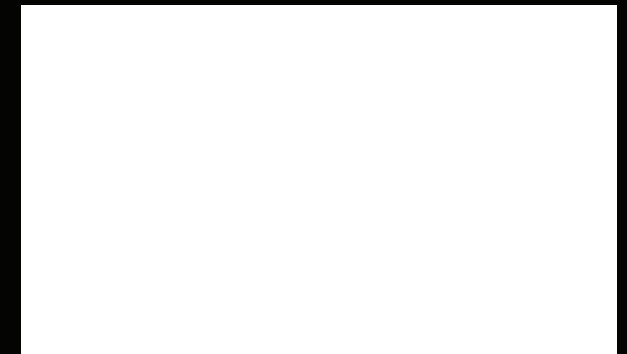
Glen Dimplex Australia Pty Ltd
8 Lakeview Drive,
Scoresby, VIC 3179
T 1300 554 155
E flame.care@glendimplex.com.au



Real Flame is a registered trademark of
Glen Dimplex Australia Pty Ltd, all rights reserved.

RF_INSP_CLASSIC6_25

Authorised Real Flame Dealer



realflame.com.au