



BAYSWATER

Factory 1: 359 Dorset Rd. Bayswater
Ph: (03) 9762 7055 | Fax: 9762 7066



KILSYTH

Factory 2: 65-67 Canterbury Rd. Kilsyth
Ph: (03) 9728 8400 | Fax: 9728 8588

For more information email us at
sales@flatpackkitchens.net

Whilst care is taken to ensure that products conform with the descriptions contained herein, the Company shall not be liable for minor variations produced as a result of the normal production process. No responsibility is held for printing errors or mistakes that might occur in the catalogue.

The Company reserves the right to improve the products contained herein from time to time and to add to and withdraw its range of products as required.

Due to our continuous product development programme, we reserve the right to change product specifications, colours and finishes without notice. If this happens, the availability of spares to that specification, colour or finish will cease simultaneously.



DIY KITCHENS & LAUNDRIES

BAYSWATER • KILSYTH

www.flatpackkitchens.net

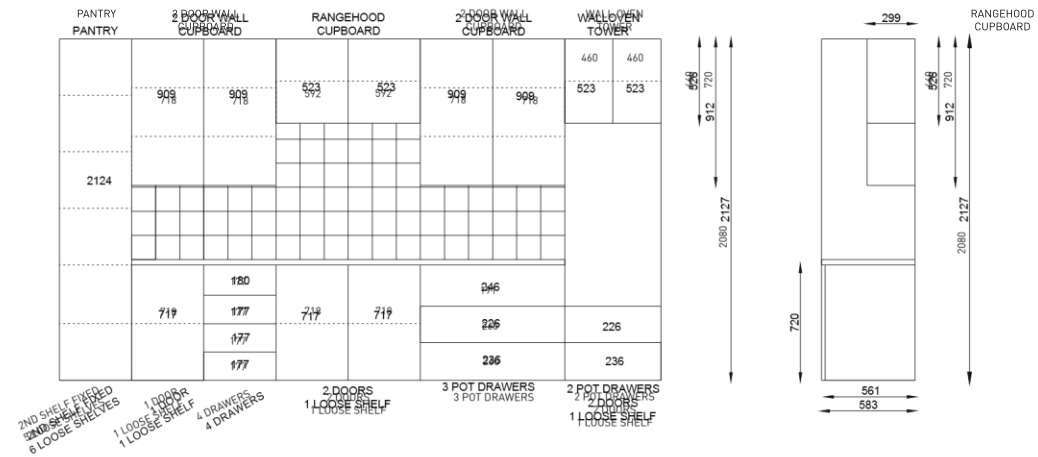


FlatpackKitchens

DIY KITCHENS & LAUNDRIES

Contents

Specifications:	p.2
Advantages:	p.2
Base Units:	p.3
Drawer Units:	p.4
Drawer Units Walloven Base:	p.5
Wall Oven Combinations:	p.6
Under Bench Oven:	p.7
Corner Base Units:	p.8
Overhead Corner Units:	p.9
Wall Units:	p.10
Fridge Units:	p.11
Pantry Units:	p.12
Corner Pantry:	p.13
Broom Cupboards:	p.14



Specifications

- Quality kitchen cabinet components (australian made)
- Each cabinet contains assembly screws and shelf supports and instructions.
- Each cabinet has allowance for full adjustable feet.
- Cabinets are manufactured from 16mm easy highly moisture resistant particleboard, white melamine finish.
- All cabinets incorporate a 16mm solid back.
- All cabinets are bored to a adjustable shelf system.
- All packaging materials can be recycled.
- All cabinets in boxes.
- Bench tops custom made and joined.
- Doors can be any size, style and colour.
- Cabinets can be modified easily.

Advantages

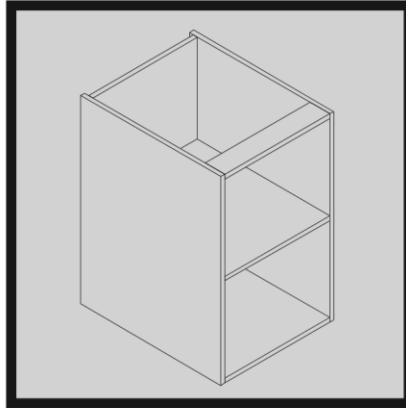
- Designs meet Australian standards.
- Easy to modify and easy to assemble.
- Continuous development of products.
- All components are manufactured from moisture resistant particleboard, melamine coated.
- All cabinets in stock.
- Cabinets can be custom made.
- Standard cabinets can be modified.

BASE

UNITS

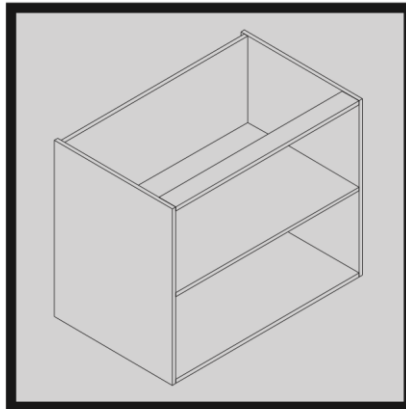
1 Door base cabinet		Door
SIZE HxWxD	QTY	SIZE HxW
720 x 250 x 561	1	717 x 247
720 x 300 x 561	1	717 x 297
720 x 350 x 561	1	717 x 347
720 x 400 x 561	1	717 x 397
720 x 450 x 561	1	717 x 447
720 x 500 x 561	1	717 x 497
720 x 550 x 561	1	717 x 547

*DOORS NOT INCLUDED



2 Door base cabinet		Door
SIZE HxWxD	QTY	SIZE HxW
720 x 600 x 561	2	717 x 297
720 x 650 x 561	2	717 x 322
720 x 700 x 561	2	717 x 347
720 x 750 x 561	2	717 x 372
720 x 800 x 561	2	717 x 397
720 x 850 x 561	2	717 x 422
720 x 900 x 561	2	717 x 447
720 x 1000 x 561	2	717 x 497

*DOORS NOT INCLUDED



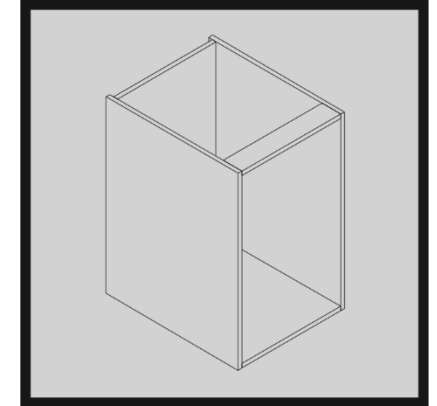
DRAWER

UNITS

4 Drawer base cabinet		Draw front
SIZE HxWxD	QTY	SIZE HxW
720 x 400 x 561	4	177 x 397
720 x 450 x 561	4	177 x 447
720 x 500 x 561	4	177 x 497

*DRAW FRONTS NOT INCLUDED

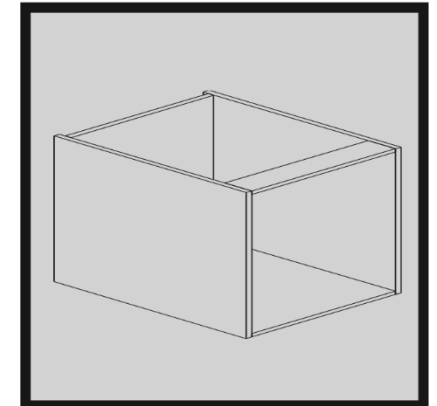
118mm high: 400mm wide: 4 equal draws
118mm high: 450mm wide: 4 equal draws
118mm high: 500mm wide: 4 equal draws



3 Drawer base cabinet		Draw front
SIZE HxWxD	QTY	SIZE HxW
720 x 600 x 561	1	191 x 597
	2	260 x 597
720 x 700 x 561	1	191 x 697
	2	260 x 697
720 x 800 x 561	1	191 x 797
	2	260 x 797
720 x 900 x 561	1	191 x 897
	2	260 x 897

*DRAW FRONTS NOT INCLUDED

1 @ 118mm high, 2@ 150mm high: 600mm wide
1 @ 118mm high, 2@ 150mm high: 700mm wide
1 @ 118mm high, 2@ 150mm high: 800mm wide
1 @ 118mm high, 2@ 150mm high: 900mm wide



Note: Harn Drawers are available and incorporate metal sides, runners, drawer front fixing clips and 16mm particleboard bottom & back. Draw unit cost does not include draw sets, they are a different code.

DRAWER

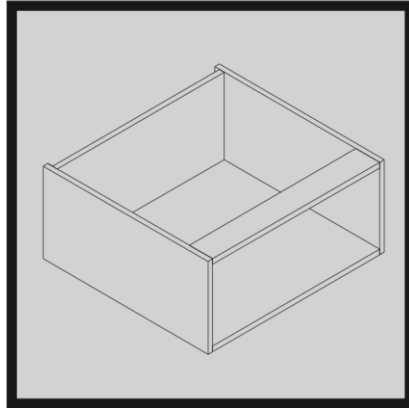
UNITS *Wall Oven Base*

1 Drawer wall oven base cabinet	Drawer Front	
SIZE HxWxD	QTY	SIZE HxW
338 x 600 x 561	1	335 x 597

*DRAW FRONTS NOT INCLUDED

118mm high: 600mm wide: 1 draw

Note: Drawer front & door are not included in cabinet price.
Note: Grass soft close draws also available to suit cabinets.

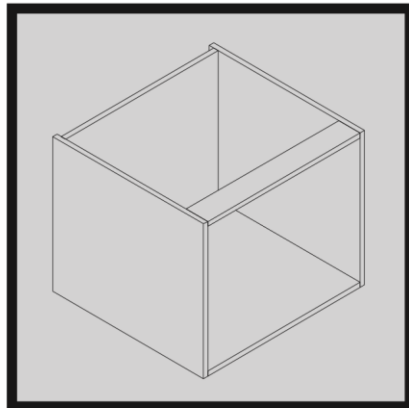


2 Drawer wall oven base cabinet	Drawer Front	
SIZE HxWxD	QTY	SIZE HxW
630 x 600 x 561	2	312 x 597

*DRAW FRONTS NOT INCLUDED

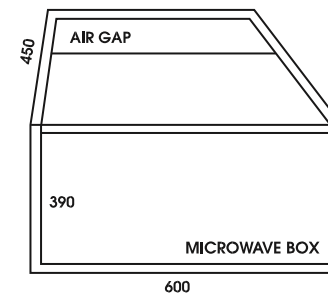
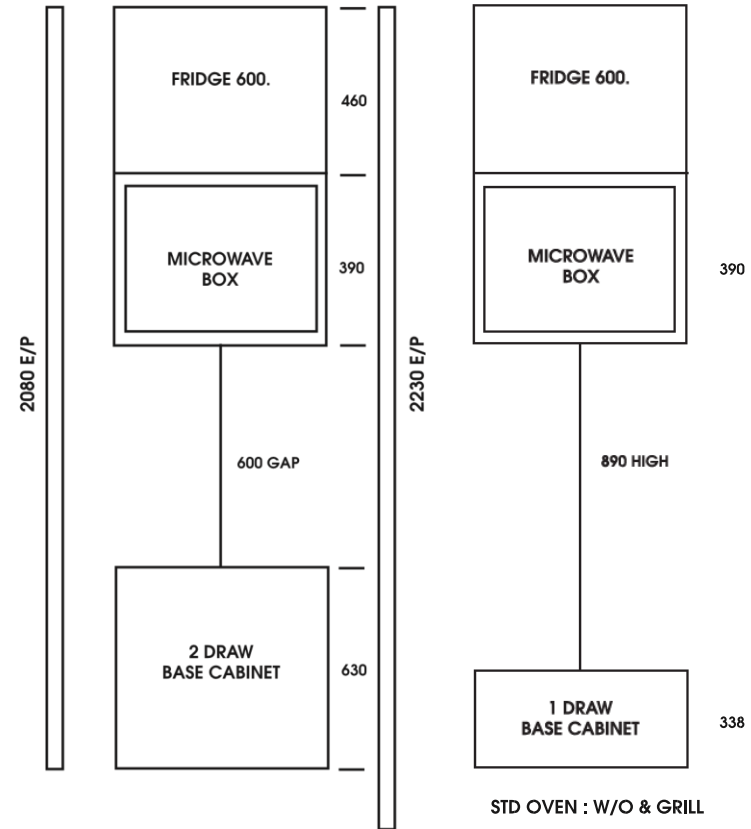
2 @ 150mm high: 600mm wide: 2 equal draws

Note: Ham Drawers are available and incorporate metal sides, runners, drawer front fixing clips and 16mm particleboard bottom & back. Draw unit cost does not include draw sets, they are a different code.



WALL OVEN

COMBINATIONS



UNDERBENCH

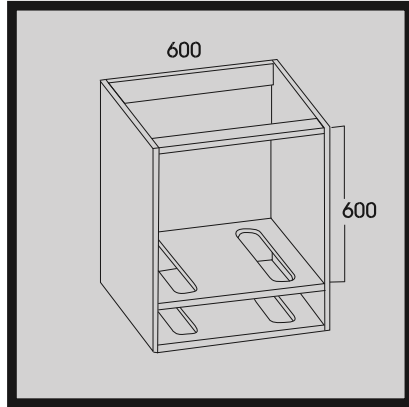
OVEN UNITS

Underbench oven cabinet

SIZE HxWxD

720 x 600 x 561

720 x 900 x 561



CORNER

BASE UNITS

2 Door corner base cabinet

Doors

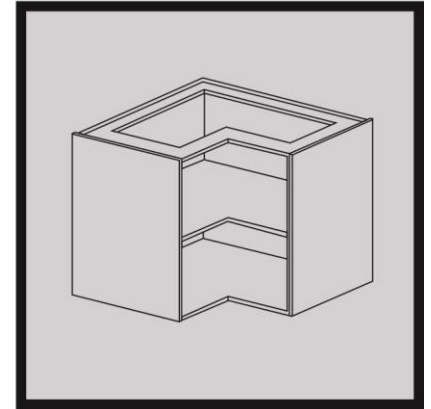
SIZE HxWxD	QTY	SIZE HxW
720 x 900 x 800 x 561	1	717 x 317
	1	717 x 217
720 x 900 x 900 x 561	2	717 x 317

*DOORS NOT INCLUDED

Note: 1: Corner 900 x 900 has leg holes

2: Door sizes based on 16mm board

3: 900 x 800 & 900 x 1200 Do not have leg holes and are reversible

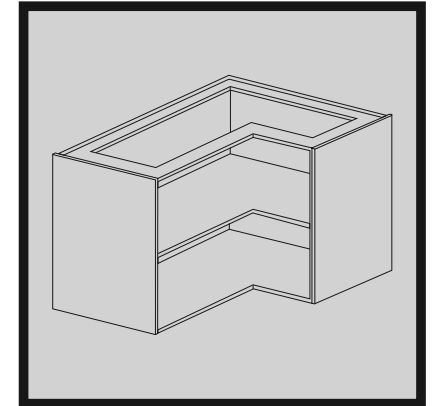


3 Door corner base cabinet

Doors

SIZE HxWxD	QTY	SIZE HxW
720 x 900 x 1200 x 561	1	717 x 297
	2	717 x 317

*DOORS NOT INCLUDED



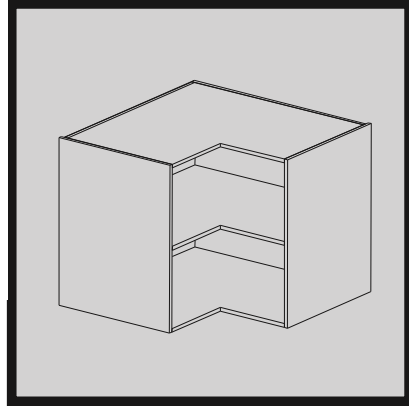
OVERHEAD

CORNER UNITS

2 Door wall corner cabinet	Doors	
SIZE HxWxD	QTY	SIZE HxW
720 x 600 x 600 x 299	2	720 X 277

*DOORS NOT INCLUDED

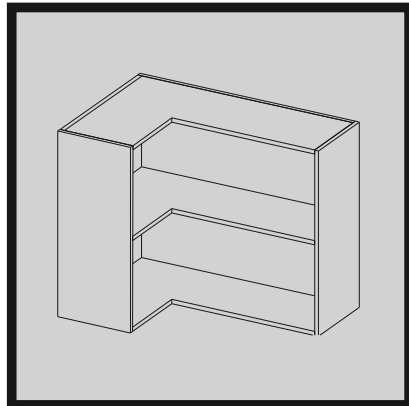
Note: Door sizes based on 16mm board.



3 Door wall corner cabinet	Doors	
SIZE HxWxD	QTY	SIZE HxW
720 x 600 x 900 x 299	1	720 X 297
	2	720 x 277

*DOORS NOT INCLUDED

Note: Door sizes based on 16mm board.

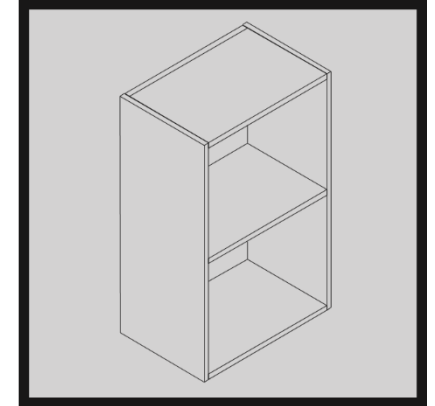


WALL

UNITS

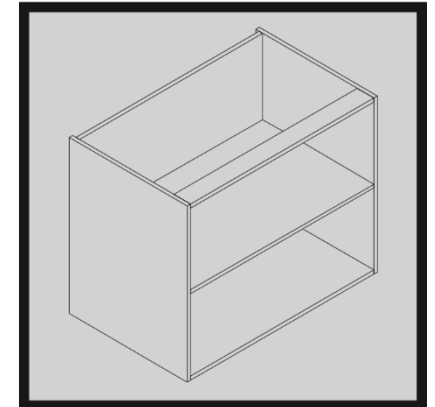
1 Door wall cabinet	Door	
SIZE HxWxD	QTY	SIZE HxW
720 x 250 x 299	1	720 x 247
720 x 300 x 299	1	720 x 297
720 x 350 x 299	1	720 x 347
720 x 400 x 299	1	720 x 397
720 x 450 x 299	1	720 x 447
720 x 500 x 299	1	720 x 497
720 x 550 x 299	1	720 x 547

*DOORS NOT INCLUDED



2 Door wall cabinet	Door	
SIZE HxWxD	QTY	SIZE HxW
720 x 600 x 299	2	720 x 297
720 x 650 x 299	2	720 x 322
720 x 700 x 299	2	720 x 347
720 x 750 x 299	2	720 x 372
720 x 800 x 299	2	720 x 397
720 x 850 x 299	2	720 x 422
720 x 900 x 299	2	720 x 447
720 x 1000 x 299	2	720 x 497

*DOORS NOT INCLUDED

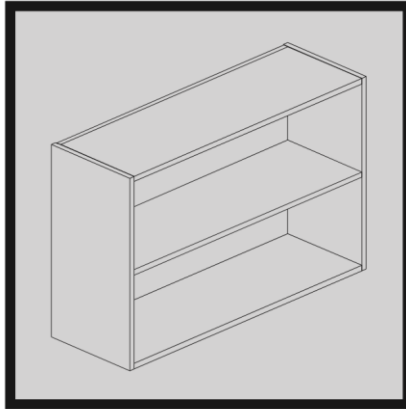


FRIDGE

UNITS

Fridge wall cabinet	Door	
SIZE HxWxD	QTY	SIZE HxW
460 x 600 x 299	2	460 x 297
460 x 700 x 299	2	460 x 347
460 x 750 x 299	2	460 x 372
460 x 800 x 299	2	460 x 397
460 x 850 x 299	2	460 x 422
460 x 900 x 299	2	460 x 447
460 x 1000 x 299	2	460 x 497

*DOORS NOT INCLUDED

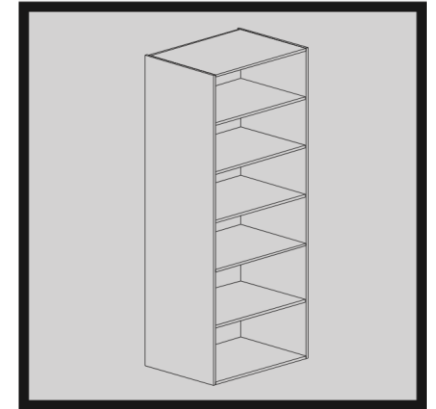


PANTRY

UNITS

1 Door pantry cabinet	Door	
SIZE HxWxD	QTY	SIZE HxW
2080 x 400 x 583	1	2080 x 397
2080 x 450 x 583	1	2080 x 447
2080 x 500 x 583	1	2080 x 497

*DOORS NOT INCLUDED



5 Adjustable Shelves

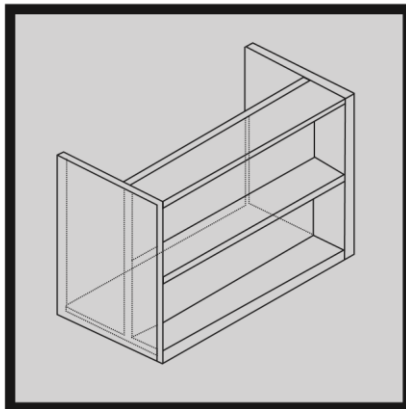
RANGEHOOD

UNITS

Rangehood cabinet	Door	
SIZE HxWxD	QTY	SIZE HxW
460 x 600 x 299	2	460 x 297
460 x 900 x 299	2	460 x 447

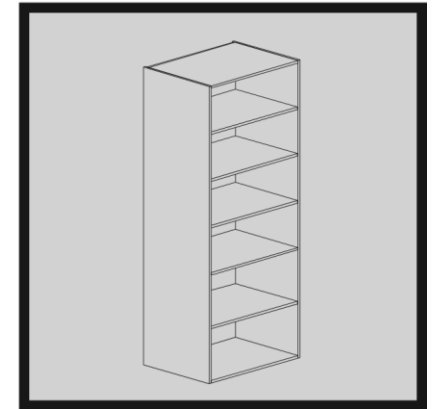
*DOORS NOT INCLUDED

Note: Door size may vary depending on rangehood set up.



2 Door pantry cabinet	Door	
SIZE HxWxD	QTY	SIZE HxW
2080 x 600 x 583	2	2080 x 297
2080 x 800 x 583	2	2080 x 397
2080 x 900 x 583	2	2080 x 447
2080 x 1000 x 583	2	2080 x 497

*DOORS NOT INCLUDED



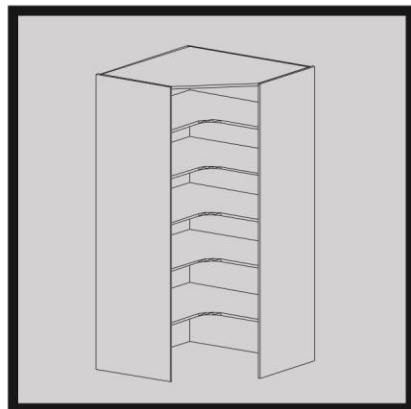
CORNER

PANTRY

1 Door corner pantry	Door	
SIZE HxWxD	QTY	SIZE HxW
2230 x 1000 x 1000 x 589	1	2210 x 563
2230 x 934 x 934 x 589	1	2210 x 470

*DOORS NOT INCLUDED

Note: Door sizes based on 16mm thick door using mepla 45" hinge & 3mm cranked hinge block



BROOM

CUPBOARDS

1 Door broom cabinet	Door	
SIZE HxWxD	QTY	SIZE HxW
2080 x 400 x 583	1	2080 x 397
2080 x 600 x 583	1	2080 x 597

*DOORS NOT INCLUDED

