

carb-o-lite

polycarbonate patio covers



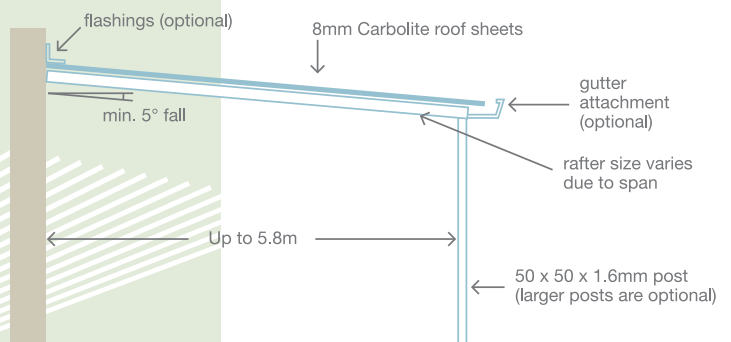
Translucent || Lightweight || Tough || Longlasting || Leakproof || Versatile





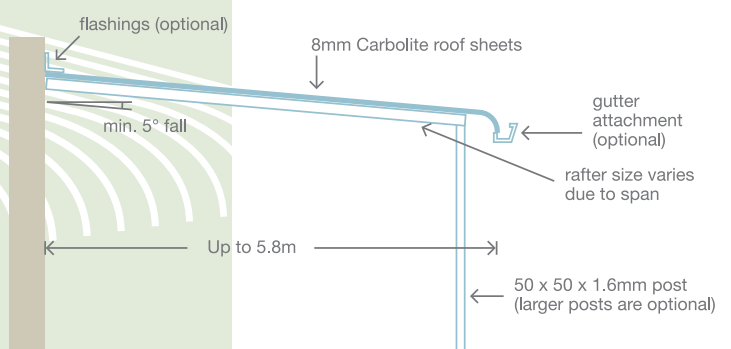
flat patio covers

- 8mm twin wall polycarbonate available in 5 designer colours
- Extruded aluminium frames available in 4 standard colours
- Special frame colours on request
- Spans of up to 5.800 lm
- Fully engineered aluminium under structures
- Sheet panels are 725mm wide (centre to centre)
- Can be supported from roof by way of rafter brackets
- Gutter attachments available (optional)



bullnose patio covers

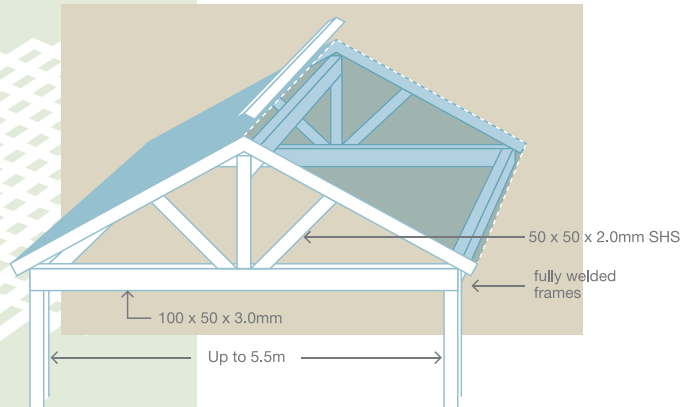
- Heat formed bullnose designed sheets
- 8mm twin wall polycarbonate available in 5 designer colours
- Extruded aluminium frames available in 4 standard colours
- Special frame colours on request
- Spans of up to 5.800 lm
- Fully engineered aluminium under structures
- Sheet panels are 725mm wide (centre to centre)
- Can be supported from roof by way of rafter brackets
- Gutter attachments available (optional)





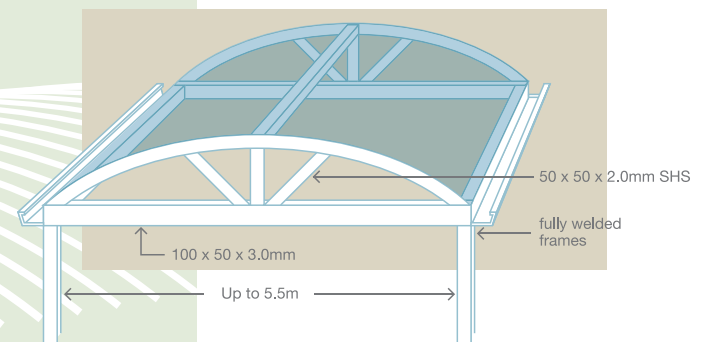
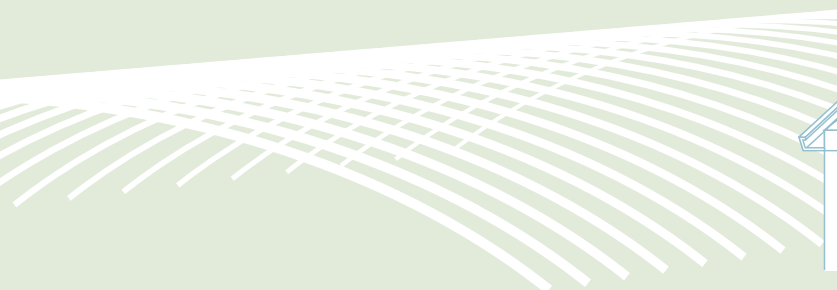
gables - pitched roofs

- 8mm twin wall polycarbonate available in 5 designer colours
- Extruded aluminium frames available in 4 standard colours
- Special frame colours on request
- Fully engineered welded frames
- Sheet panels are 725mm wide (centre to centre)
- Can be supported from roof by way of rafter brackets
- Gutter attachments available (optional)



barrel vaults

- 8mm twin wall polycarbonate available in 5 designer colours
- Extruded aluminium frames available in 4 standard colours
- Special frame colours on request
- Minimum radius 1400mm
- Fully engineered welded frames
- Sheet panels are 725mm wide (centre to centre)
- Can be supported from roof by way of rafter brackets
- Gutter attachments available (optional)

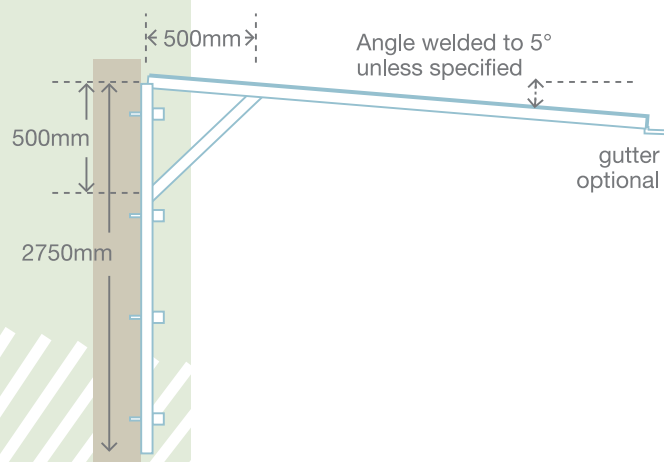




cantilevered awnings

(flat & bullnosed)

- 8mm twin wall polycarbonate available in 5 designer colours
- Extruded aluminium joining sections available in 4 standard colours
- Special frame colours on request
- Maximum projection is 2600mm
- Sheet panels are 725mm wide (centre to centre)
- Sturdy welded frame trusses to engineer specifications
- Suitable for patio covers
- Pitch set at 5 degree fall but can be pre welded to any angle requested



colour range

8mm Twinwall	Light transmission	Shading transmission
Clear	86%	72%
Grey	42%	45%
Bronze	42%	45%
Solar Metallic	25%	28%
Solar Ice	20%	25%

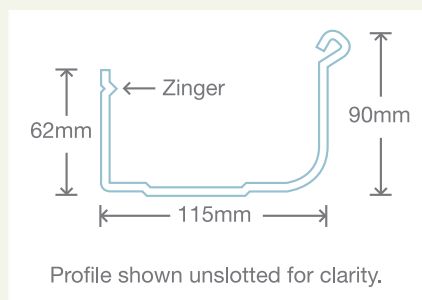
frame colour

- Pearl White • Primrose
- Anodic Bronze • Satin Black
- Special colours on request

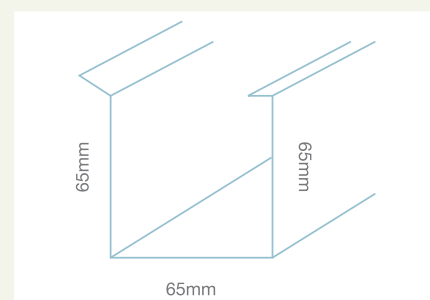
CARBOLITE comes with a limited 2 year warranty. Refer warranty card for more details. CARBOLITE is a registered trademark of Carbolite Pty Ltd. The information contained in this brochure is to the best of our knowledge accurate but all recommendations are made without warranty as the conditions of use are beyond our control. All enquiries for Government approvals regarding installations must be made by the purchaser. DISCLAIMER: All specifications are subject to change without notice.

Approved distributor

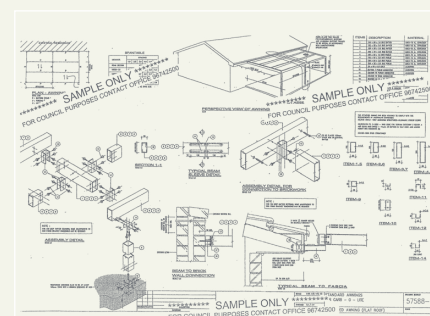
water diversion



CARBOLITE quad gutter attachment (used on flat/barrel vault and gable awnings)



CARBOLITE bullnose gutter attachment



Fully engineered design