



The Aquafil Pulse Senior bottle refill station is a robust, economical solution designed specially for senior educational campuses and sports grounds.

The anti-bacterial bottle refill nozzles deliver clean, fresh drinking water, with the added option of an inbuilt filter. Customisable signage graphics on the exterior panels, combined with a vandal-resistant design, make the product an ideal solution for school campuses and public spaces.

Product features

- 1400mm height
- Two anti-bacterial bottle refill points
- Internal drainage, allowing for indoor or outdoor installation
- DDA-compliant wheelchair-accessible design
- Customisable graphic panels with anti-graffiti protection
- Removable panel for easy filter replacement
- Two year warranty*

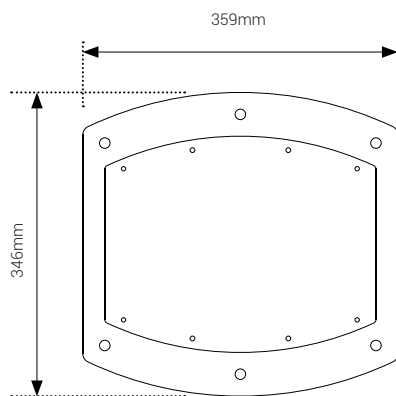
Additional options

- Optional inbuilt water filter
- Optional inbuilt water meter
- Optional remote chiller
- Optional remote chiller with housing for outdoor installations

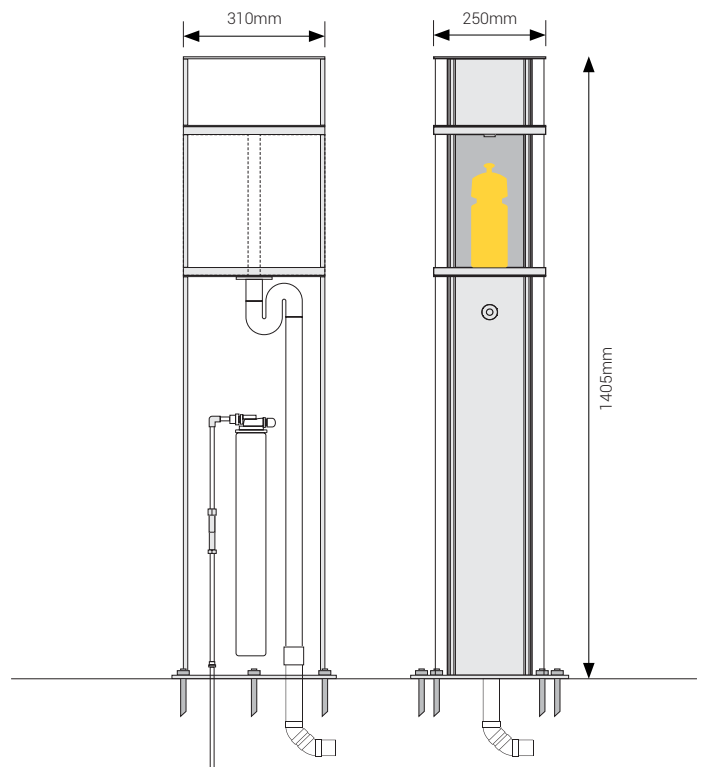
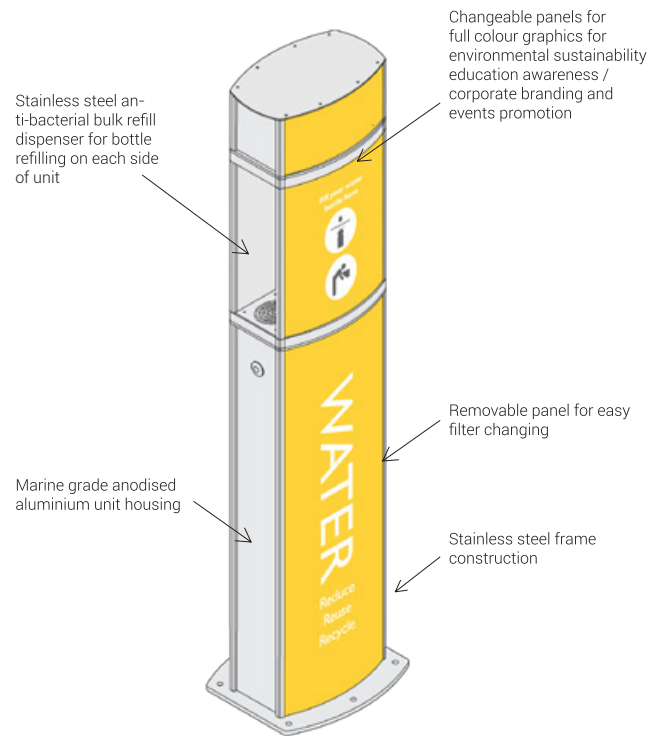
Technical Details

Housing frame	Stainless steel
Housing unit	Anodised aluminium
Graphic panels	Stainless steel
Filter unit option	Sub-micron or 5 micron
Filter unit working pressure	10-125 psi (0.7-8.5 bar), non-shock
Water supply connection	1/2 inch supply line with 1/2 inch Male BSP connection
Drainage	40mm PVC

*Please refer to the Aquafil® Product Warranty for full terms and conditions



Plan view



Front & Side view with filter detail