

The semi-portable Aquafil Pulse Senior bottle refill station is a robust, economical solution designed for school and community events.

The 1400mm-high station features two bottle refill nozzles and a stainless steel drinking fountain, with the added option of an inbuilt filter. Customisable, vandal-resistant signage panels allow for promotional messages to be featured on the exterior. Sturdy and easy to store, the station is ideal for schools, sports clubs and events venues.

Product features

- 1400mm height
- Two anti-bacterial bottle refill points
- Semi-portable, reconfigurable design
- Customisable graphic panels with anti-graffiti protection
- Removable panel for easy filter changing
- 10m water supply hose with quick connect non-spill fittings
- 20mm & 15mm tap adaptors
- Two year warranty*

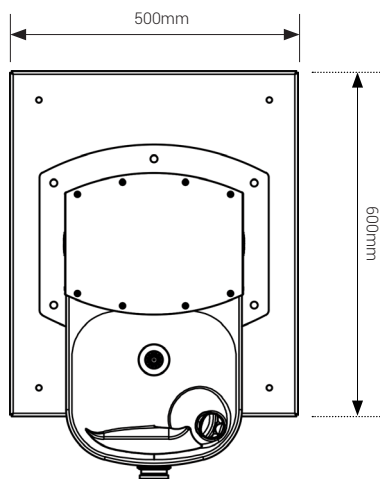
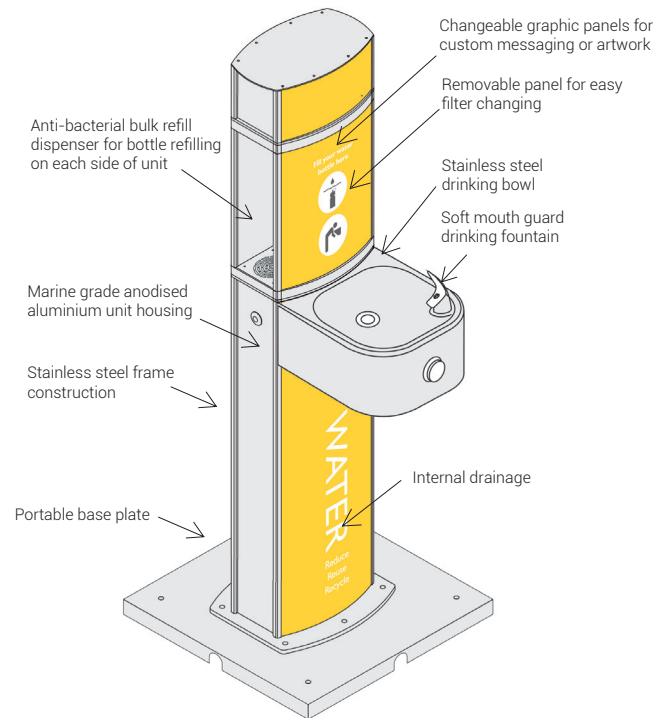
Additional options

- Optional inbuilt water filter
- Optional inbuilt water meter
- Optional remote water chiller

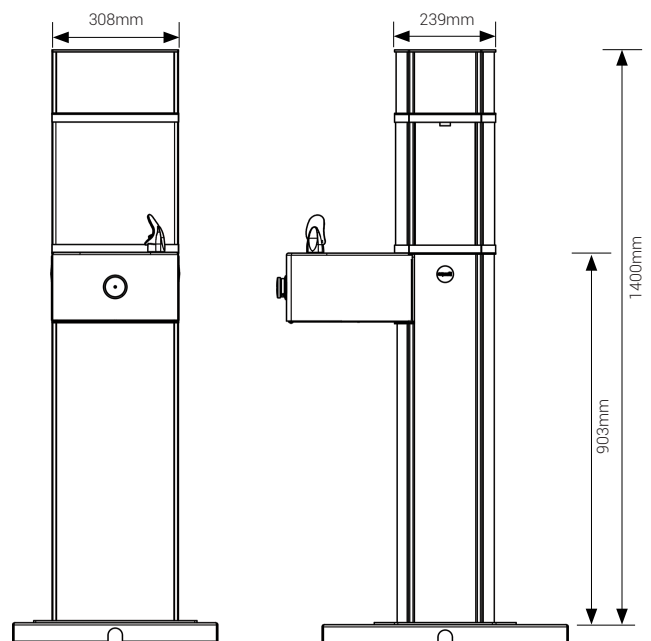
Technical Details

Housing frame	Stainless steel
Housing unit	Anodised aluminium
Graphic panels	Stainless steel
Filter unit option	Sub-micron or 5 micron
Filter unit working pressure	10-125 psi (0.7-8.5 bar), non-shock
Water supply connection	½ inch water hose with quick connect non-spill fittings and 20mm & 15mm tap adaptors
Drainage	40mm PVC

*Please refer to the Aquafil® Product Warranty for full terms and conditions



Portable base plate view



Front view

Side view