

Solar Bollard[®] Lighting

WORLDS No. 1 Solar Bollard Light



- ✓ BRIGHTER FOR LONGER
- ✓ CHARGES IN SHADE
- ✓ IK10 IMPACT RESISTANT
- ✓ IP68 SUBMERSIBLE
- ✓ 10 YEAR PRODUCT AND PERFORMANCE WARRANTY
- ✓ AUSTRALIAN MADE
- ✓ MULTI AWARD WINNING
- ✓ 100% RECYCLABLE
- ✓ 100% CLEAN ENERGY
- ✓ EASY TO INSTALL





Solar Bollard Lighting®

Innovative Design & Australian Manufacturing Excellence



Solar Bollard Lighting® are an Australian company that pioneered and commercialised the world's first integrated all-in-one solar light over two decades ago.

Ever since, SBL have continued to design, manufacture, and deliver award-winning industrial grade solar bollard lights of unsurpassed versatility and quality, that would ensure our clients of a fit for purpose, long-life cycle, sustainable procurement outcome.

Our SBL2 Series solar bollard light not only lights up locations where connection to the grid is just too cost prohibitive or where trenching would cause irreparable damage to heavily vegetative eco habitats, but be the solution to lighting up previously unheard-of locations no other stand-alone solar powered lighting product could challenge.

The SBL2 Series is the world's first solution for illuminating locations

- Without any direct sunlight year round
- Prone to flooding, cyclones, tidal surges, & tsunamis

When all other solar and grid powered lights have failed, the SBL2 Series solar bollard light will continue to light up the night, every night, even when completely submersed under water.

Each project is custom designed based on the exact geographical location winter solstice profile, shading levels across the site, and any seasonal snow coverage or monsoonal rain that may be expected, so we can ensure a dependable and compliant lighting outcome.

With commercial project installations in over 40 countries, the SBL2 Series solar bollard lighting range have been utilised for lighting up

- Government sector public spaces
- Defence & embassies
- Mining, gas & oil industries
- Marine applications
- Education & Faith
- Commercial infrastructure
- Residential, retirement & aged-care
- Sport, recreation & theme parks
- Hotels & resorts.

We undertake product testing through NATA accredited laboratories here in Australia to certify our design specifications pass all necessary quality assurance and performance tests.

Lorem ipsum

Product Features

10 YEAR WARRANTY
Product and performance including the battery

IP68 SUBMERSIBLE
Tested at 3m / 24 hours to simulate actual flood events

IK10 IMPACT RESISTANCE
Vandal Resistant - withstands 3kg sledgehammer impact

100% RENEWABLE ENERGY POWERED
Reduces your carbon footprint

100% RECYCLABLE
All parts recyclable or can be re-purposed

EASY TO INSTALL & LOW MAINTENANCE
Can be installed with no environmental disruption

All-in-One Industrial Grade Solar Bollard Lighting

IP68

IK10

SBL2 Series



BEST FOR

- Areas prone to flooding
- Full sun, or low, moderate & heavily shaded locations



LED ARRANGEMENT

Light directed downward, for full concentration of light onto the ground surface



SBL2 S MODEL
General Lighting



SBL2 SR
Full Dark Sky Compliance



SBL2 WLF
Wildlife Friendly

POLE FINISHES

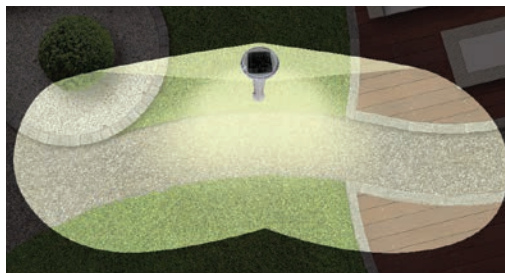


POWDER COATED

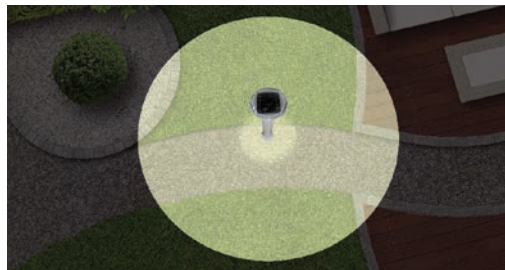


ANODISED

LIGHT DISTRIBUTION OPTIONS



ASYMMETRICAL



SYMMETRICAL

LED OPTIONS



4000K
Natural White



3000K
Warm White



600nm-615nm
Wildlife Friendly

INSTALLATION & MOUNTING OPTIONS

The 6106 T6 high tensile strength marine grade aluminium used to extrude our poles, offers an operational life of up to 30 years in situ.



Baseplate Mount

Ground mounted to existing or new surfaces



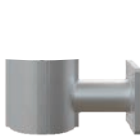
Baseplate Cover

Option to cover the baseplate securing bolts



Direct Buried

Simple core hole and concrete fill for maximum security



WM
Wall Mounted



PM
Pylon Mounted



FM
Fence Mounted



RMR
Round Rail Mounted



RMS
Square Rail Mounted



OH
1 Light Head



2OH
2 Light Head



3OH
3 Light Head



4OH
4 Light Head

TECHNICAL SPECIFICATIONS



DOME COVER	Sabic Lexan™ SLX Copolymer (Extreme UV Resistance)
LOWER HOUSING	Sabic PC (High Impact Resistance / High UV Stabilisation)
INTERNAL PARTS	Starex ASA Copolymer
LED CHIP	8 x 5mm SuperFlux LED Asymmetrical Light Distribution 4000K (Natural White) / 3000K (Warm White) Symmetrical Light Distribution 4000K (Natural White) / 3000K (Warm White)
VOLTAGE	3.2VDC (ELV - no UL certification required for USA)
OPERATE TEMP	-30°C ~ +60°C ambient (runs safely up to 100°C)
MAINTENANCE	Annual clean and polish (for peak performance)
WARRANTY	10 Years (subject to SBL Warranty T&C's)
CERTIFICATIONS	IP68 (AS/NZS 60529:2004 IPx8, IP4x, IP6x) IK10 (IEC 62262:2002) Photometric (IESNA LM-79-08) CE
LUMINAIRE WEIGHT	Net Weight 2.88kg (6.4lbs)

SOLAR MODULE	
Wattage	5w Mono-Crystalline
Vmp (V)	5V
Imp (A)	1 Amp
Design Life	> 15 Years (100% output)
BATTERY	
Type	3.2V 17Ah Cylindrical LiFePo4
Cycles	≥ 4000
Design Life	≥ 10 Years (correct mA model used for install location)
ELECTRONICS	
Design Life	> 10 Years
Runtime	Dusk until Dawn full power
On/Off Control	Solar Panel Voltage
POLES	
Material	6106 T6 Aluminium Marine Grade
Grade	High Tensile / Light Weight
Durability	High Corrosion Resistance
Collar	25um Anodised Aluminium
Hardware	Security Bolts 4 x M6 - 316 SS

ORDER MATRIX

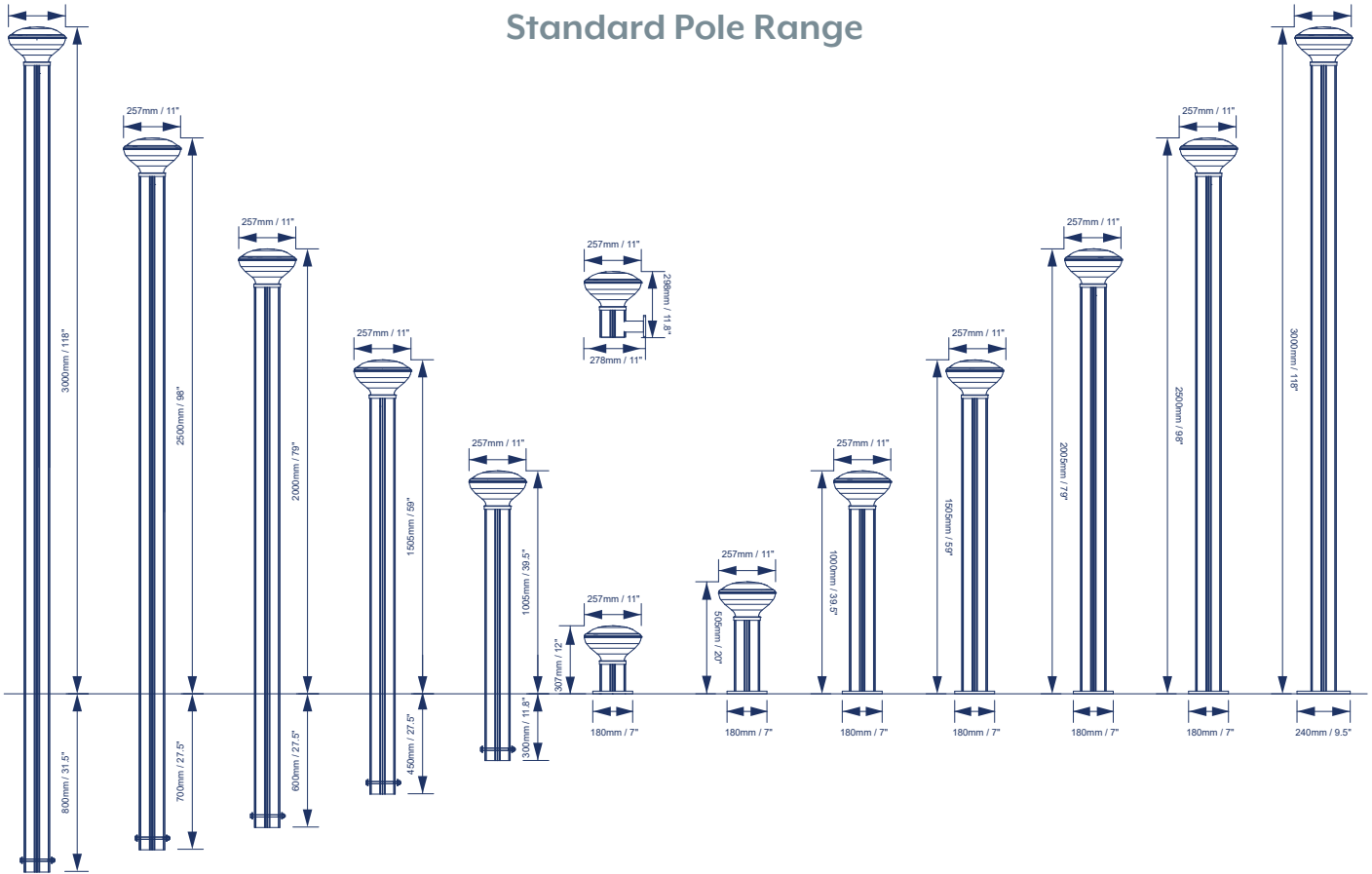
POWER MODEL	LED CONFIGURATION	STANDARD MOUNTING CODE	DIMENSION	INSTALLED HEIGHT WITH LIGHT ATTACHED	POLE FINISH OPTIONS	
040 - 40mA	ANW	-130WM	130mm/5.1"	290mm / 11.4"	A - 25um Anodised Silver (Default Colour) PC - BLACK (NIGHT SKY) (Default Colour)	
080 - 80mA	SNW	-142BP	142mm/5.6"	302mm / 11.9"		
120 - 120mA	AWW	-290 RR / SR / FR / WR	1840mm/79"	2000mm / 79"	CUSTOM FINISH OPTIONS CPC - Powder Coat - Various Colours * CA - 25um Anodised - Various Colours * CEA - EverShield Anodised - Various Colours * (under 15 poles - Minimum Order Loading cost applies) * Custom Order Option have longer lead time	
160 - 160mA	SWW	-840BP	840mm/33"	1000mm / 39.4"		
200 - 200mA	LED DESCRIPTION ANW Asymmetrical (180°) 4000K +/- LED	-1140DB	1140mm/44.9"	1000mm / 39.4"		
240 - 240mA		-1340BP	1340mm/53"	1500mm / 59"		
280 - 280mA	SNW Symmetrical (360°) 4000K +/- LED	-1790DB	1790mm/70.4"	1500mm / 59"		MOUNTING DESCRIPTION WM - Wall Mount Bracket DB - Direct Bury BP - Base Plate
	AWW Asymmetrical (180°) 3000K +/- LED	-1840BP	1840mm/79"	2000mm / 79"		
	SWW Symmetrical (360°) 3000K +/- LED	-2440DB	2440mm/96.5"	2000mm / 79"		RAIL MOUNTING DESCRIPTION RR - Round Rail Metal - SS U-Bolts SR - Square Rail Metal - SS U-Bolts FR - Flat Rail Metal - Dual Plate Brackets WR - Wooden Rail U-Shape Bracket
		-2340BP2 / 3 / 4	2340mm/92"	2500mm / 98"		
		-30402DB	3040mm/119.6"	2500mm / 98"		
		-2840BP2 / 3 / 4	2840mm/111.8"	3000mm / 118"		
		-3640DB	3640mm/143"	3000mm / 118"	MULTI-LIGHT MOUNTING DESCRIPTION Two (2) Light Pole - add 2 after Pole Finish Three (3) Light Pole - add 3 after Pole Finish Four (4) Light Pole - add 4 after Pole Finish	
		-3340BP2 / 3 / 4	3340mm/131.5"	3500mm / 138"		
		-3840BP2 / 3 / 4	3840mm/151"	4000mm / 157"		
		-4340BP2 / 3 / 4	4340mm/171"	4500mm / 177"	SR REFLECTOR OPTION SR - Full Dark Sky Cut Off	

Ordering Example :

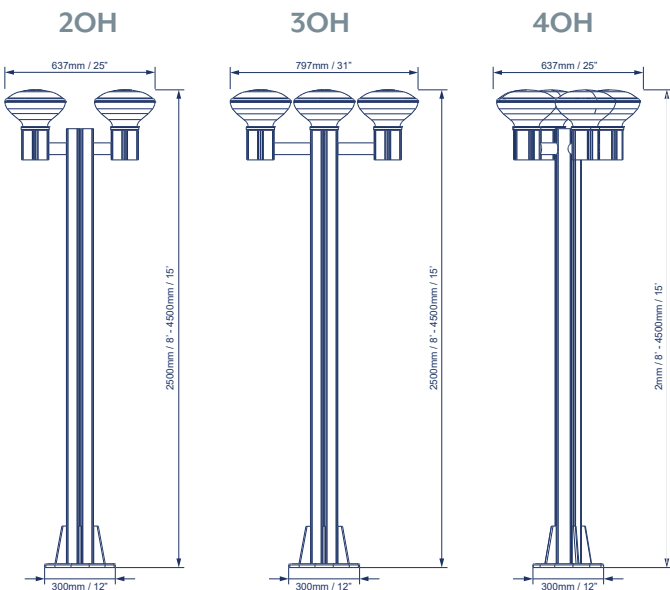
SBL2-160ANW-1140DBPC = 160mA Asymmetrical Natural White Light on 1140mm/44.9" Black Powder Coated Direct Bury Pole

Power Model	LED Colour/Distribution	ADD SR Reflector	Standard Mount Code	Pole Finish Option	Custom Finish Code
SBL2	160	-	1140DB	PC	
		If Applicable			If Applicable

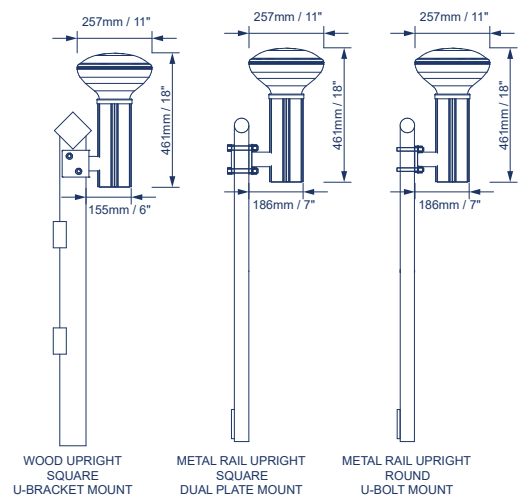
Standard Pole Range



Multi Light Pole Range



Conveyor / Rail Mount Pole Range



Applications

Our Australian Made solar bollard light can be found in more than 40 countries, lighting up projects such as pathways, streets, driveways, stairways, public jetties and pontoons, and even flag poles.



Industries

There are many reasons architects, landscape designers, facility managers, town planners, developers, civil contractors, mining & resource companies, and governments from around the world choose the SBL2 Series.







RESORT LIGHTING



PARK LIGHTING



AREA LIGHTING



STAIRWAY LIGHTING



MARINE & WILDLIFE FRIENDLY LIGHTING



BRIDGE LIGHTING



HEAD OFFICE / FACTORY

A Unit 2 / 55 Doherty St, Brendale, Qld 4500 Australia
 P +61 1300 388 213
 E sales@solarbollardlighting.com
 W solarbollardlighting.com

