

# Centrifugal In-Line Fans AC



Westaflex AC Centrifugal In Line Fans have been designed for the HVAC professional.

Manufactured in Australia from engineered polymers, and using high quality, energy efficient EBM Papst motors, Westaflex AC Centrifugal Fans will provide years of trouble free service.



- Westaflex AC Centrifugal Fans are available in numerous sizes & configurations from 150mm low profile / 115 l/s (414 m<sup>3</sup>/hr) up to our largest model a 300mm providing 498 l/s (1793 m<sup>3</sup>/hr).
- Westaflex AC Centrifugal Fans only use the best available motors from EBM Papst (as standard).
- Westaflex AC Centrifugal Fans are manufactured from first grade (virgin) ABS Polymers.
- Westaflex AC Centrifugal Fans are supplied with a lead and plug and are all Tested & Tagged as standard.
- A range of accessories are available for our fans that include Anti Vibration Mounts. These mounts are manufactured from nylon polymers and are available in two sizes, small to suit 100mm to 200mm, and large to suit 225mm to 350mm.

**Westaflex AC Centrifugal Fans officially carry *AUSTRALIAN MADE* certification**



**westaflex**  
THE AUSTRALIAN Air FORCE

[www.westaflex.com.au](http://www.westaflex.com.au)



# Centrifugal In-Line Fans AC



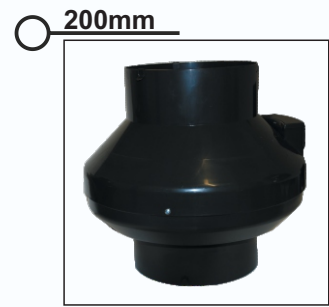
150mm  
Low Profile - 190 Motor



150mm  
Low Profile - 190  
3 Speed Motor



150mm  
Round - 190 Motor



200mm  
Round - 190 Motor



200mm - High Flow  
Round - 220 Motor



250mm  
Round - 220 Motor



250mm - High Flow  
Round - 225 Motor



300mm  
Round - 280 Motor

## TECHNICAL SPECIFICATIONS

PRODUCT CODE	DESCRIPTION	MOTOR INPUT (W)	CURRENT DRAW (A)	MAX TEMP (C)	MIN TEMP (C)	NOMINAL VOLTAGE (VAC)	MOTOR PROTECTION
764106L	Low Profile - In Line Fan Centrifugal Backward Curved Impeller	52	.23	65	-25	230	Thermal Cut-Out Manual Reset
764106L3	Low Profile - In Line Fan Centrifugal Backward Curved Impeller 3 SPEED	57	.26	50	-25	230	Temperature Limiter Manual Reset
764106	Round - In Line Fan Centrifugal Backward Curved Impeller	52	.23	65	-25	230	Thermal Cut-Out Manual Reset
764108	Round - In Line Fan Centrifugal Backward Curved Impeller	52	.23	65	-25	230	Thermal Cut-Out Manual Reset
765108	Round - In Line Fan Centrifugal Backward Curved Impeller	88	.39	50	-25	230	Thermal Cut-Out Manual Reset
765110	Round - In Line Fan Centrifugal Backward Curved Impeller	88	.39	50	-25	230	Thermal Cut-Out Manual Reset
766110	Round - In Line Fan Centrifugal Backward Curved Impeller	155	.68	70	-25	230	Temperature Limiter Manual Reset
767112	Round - In Line Fan Centrifugal Backward Curved Impeller	225	1.0	40	-25	230	Thermal Overload Protector Wired Internally

A	B	C	D	E	F	G	H
340	150	150	160	75	75	310	217
340	150	150	160	75	75	310	217
342	152	152	187	75	75	336	N/A
342	200	200	163	75	75	312	N/A
342	200	200	163	75	75	312	N/A
325	246	246	178	65	65	308	N/A
325	246	246	178	65	65	308	N/A
30	300	300	180	75	75	330	N/A

### Selection of accessories available



Ducting



Anti-Vibration Mounts



Tapes

