

Aquafil FlexiFountain 1200B

Bottle Refill Station

SKU: AQ-FF1200B

Compact and hard-wearing, with custom graphic panels. Wheelchair-accessible bottle refill points mean the station provides access to fresh and clean drinking water to everyone in the community.

Ideal for parks, playgrounds, beachside and urban settings, as well as busy outdoor school campuses and sports grounds.

Key Inclusions

- Two Water Bottle Refill Points (AS1428.2 1992 Compliant)
- Stainless Steel Construction
- Stainless Steel Buttons
- Custom Art Panels with UV and Anti-Graffiti Protection

Customisation Options

- Dog Bowl
- Filter
- Indoor or Outdoor Remote Chiller
- Water Meter
- Thermal Plumbing Insulation
- Frost Protection Device
- Service Tap

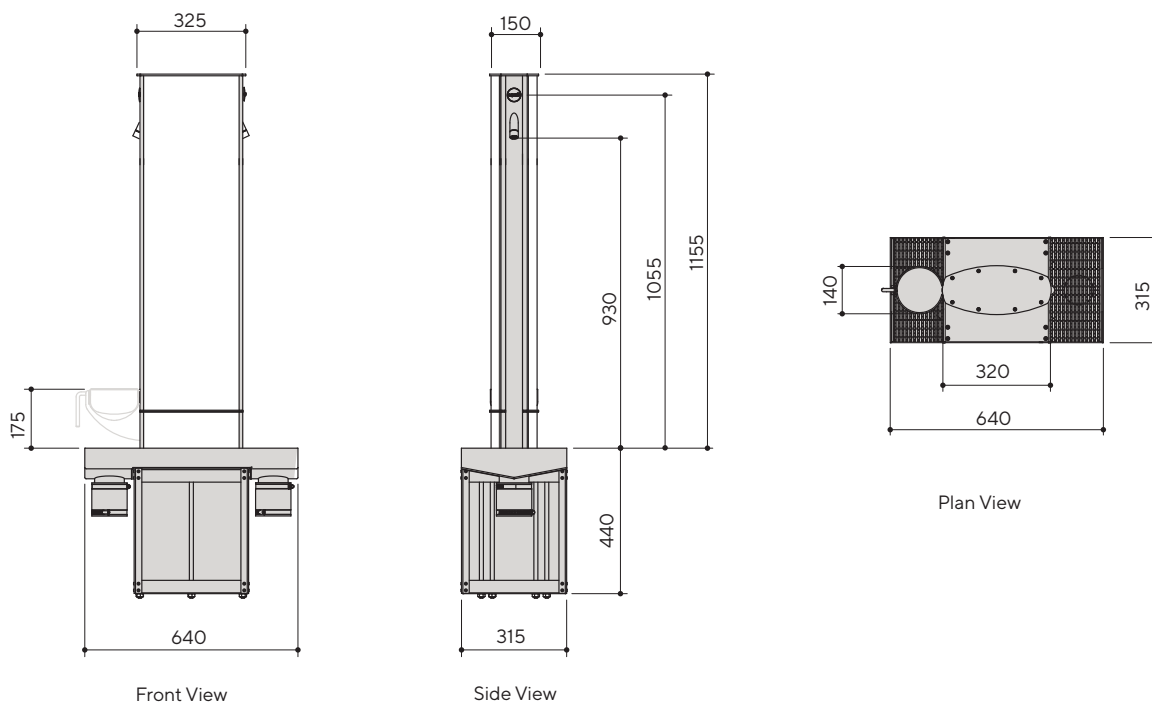


Technical Details

Housing Frame	Stainless steel
Housing Unit	Anodised aluminium
Graphic Panels	Stainless steel
Filter Unit Position	Sub-micron or 5 micron
Filter Unit Working Pressure	10-125 psi (0.7-8.5 bar), non-shock
Water Supply Connections	1/2" supply line with 1/2" male BSP connection
Drainage	2 x 90mm PVC
Shipping Dimensions	130 x 40 x 80cm
Shipping Weight	60 kg

Specification Text

Aquafil Indoor or Outdoor Drinking Water Station - 1155H x 315W x 640D. Complete with drainage cage and AS1428.2 1992 compliant bottle fillers. Full stainless-steel construction with UV and anti-graffiti protected interchangeable custom graphic panels. Optional dog bowl, filter, chiller, meter, thermal plumbing insulation, frost protection device, and maintenance package. Product Code AQ-FF1200B.



Visit civiq.com.au to access the most recent data, CAD files and installation instructions.