

# Aquafil Pulse Senior 1400BFFF

## Drinking Fountain and Bottle Refill Station

SKU: AQ-PS1400BFFF

Stainless steel, hygienic and user-friendly drinking water station with two bottle refill points and three fountains. Customisable, vandal-resistant signage panels allow for educational or brand messages to be featured on the exterior.

Ideal for indoor and outdoor settings, including schools, universities, and other educational facilities.

### Key Inclusions

- Two Water Bottle Refill Points (AS1428.2 1992 compliant)
- Three Drinking Fountains
- Stainless Steel Construction
- Stainless Steel Buttons
- Custom Art Panels
- UV and Anti-Graffiti Protection

### Customisation Options

- Soft or VR Mouthguard
- Filter
- Extra-Deep Wheelchair Accessible Fountain Basin
- Indoor or Outdoor Remote Chiller
- Water Meter
- Thermal Plumbing Insulation

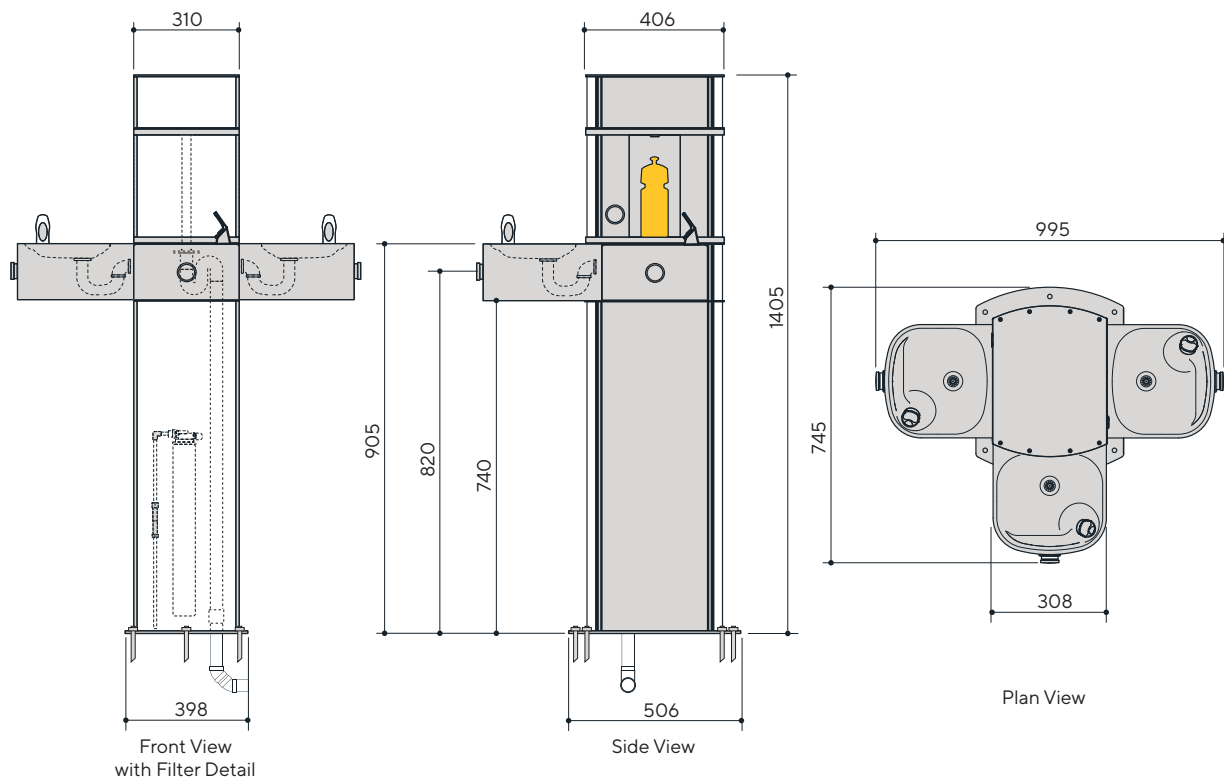


## Technical Details

Housing Frame	Stainless steel
Housing Unit	Anodised aluminium
Graphic Panels	Stainless steel
Filter Unit Position	Sub-micron or 5 micron
Filter Unit Working Pressure	10-125 psi (0.7-8.5 bar), non-shock
Water Supply Connections	1/2" supply line with 1/2" male BSP connection
Drainage	40mm PVC
Shipping Dimensions	150 x 110 x 95cm
Shipping Weight	75kg

## Specification Text

Aqua*fil* Indoor or Outdoor Drinking Water Station - 1405H x 995W x 730D. Complete with three drinking fountains and two AS1428.2 1992 compliant wheelchair-accessible bottle fillers on both sides. Full stainless-steel construction with UV and anti-graffiti protected interchangeable custom graphic panels. Optional filter, chiller, thermal plumbing insulation, installation and maintenance package. Product Code AQ-PS1400BFFF.



Visit [civiq.com.au](http://civiq.com.au) to access the most recent data, CAD files and installation instructions.