






**This manual applies to the Queen, King and Super King
bed box**

Assembly instructions

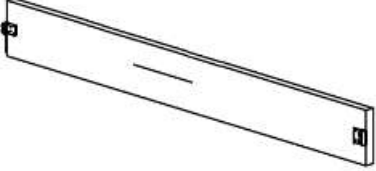
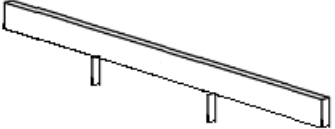
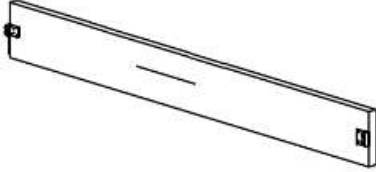
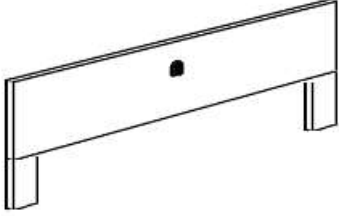
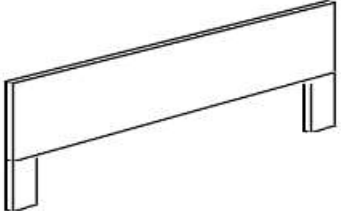

**Tools needed – screwdriver or drill
2 person build**



Bed fittings

		
1 x Allen Key	12 x Bolts	4 x Screws

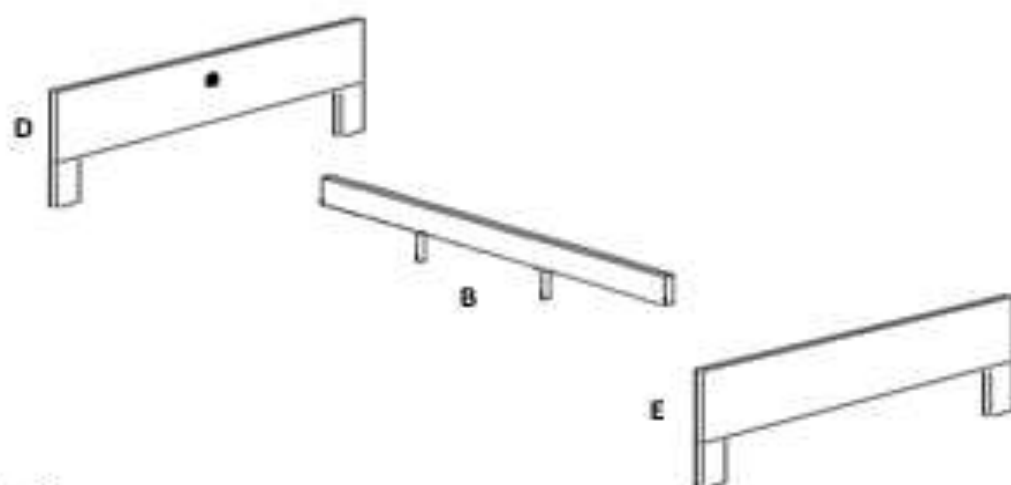
Part list

	
A 1 x Side Rail	B 1 x Centre Rail
	
C 1 x Side Rail	D 1 x Headboard
	
E 1 x Footboard	1, 2 & 3 3 x Slat Frame

Assembly

Step 1

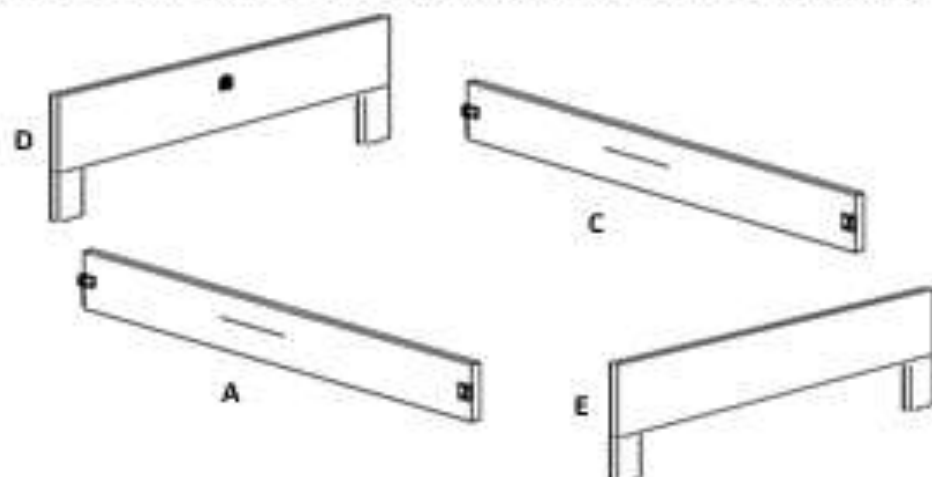
Slide the centre rail (B) into the bracket slots on the headboard (D) and footboard (E)



Step 2

Attach the side rails (A + C) into the brackets of the headboard (D) and footboard (E)

Attach 3 x bolts to each bracket by using the Allen key, do not over tighten the bolts



Step 3

Insert the slat frame into the completed bed box frame (1, 2 + 3)

Step 4

Attach slat frame (2) into the side rail ledge (A + C) with 4 x screws into the pre-drilled holes, do not over tighten the screws

